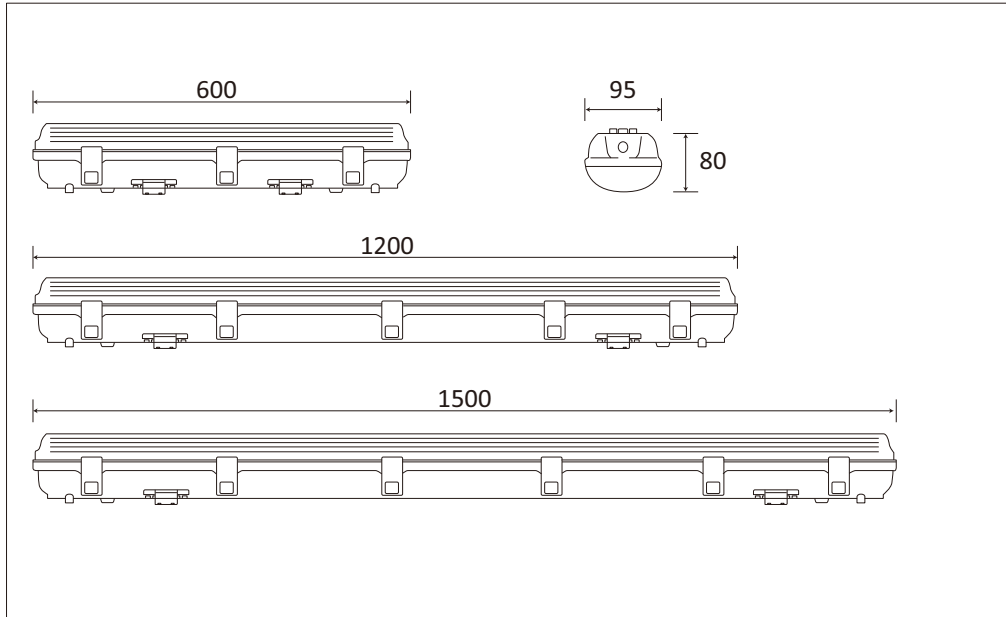


Dimensions (unit : mm)



Handle the product with care.

- Read through this manual before installation.
- Make sure the products are securely installed.
- The housing might become hot after operation.
- Consult with the manufacturer before maintenance.
- Turn OFF the power before installation and maintenance.
- If the pc cover is damaged, the luminaire shall be destroyed.
- This product must be installed and maintained by certified electrician.
- Primary use weatherproof luminaires for commercial and industrial buildings.
- Make sure the construction is strong enough to support the products.
- The product belongs to Class III. If necessary, please connect the ground line to wiring terminal.

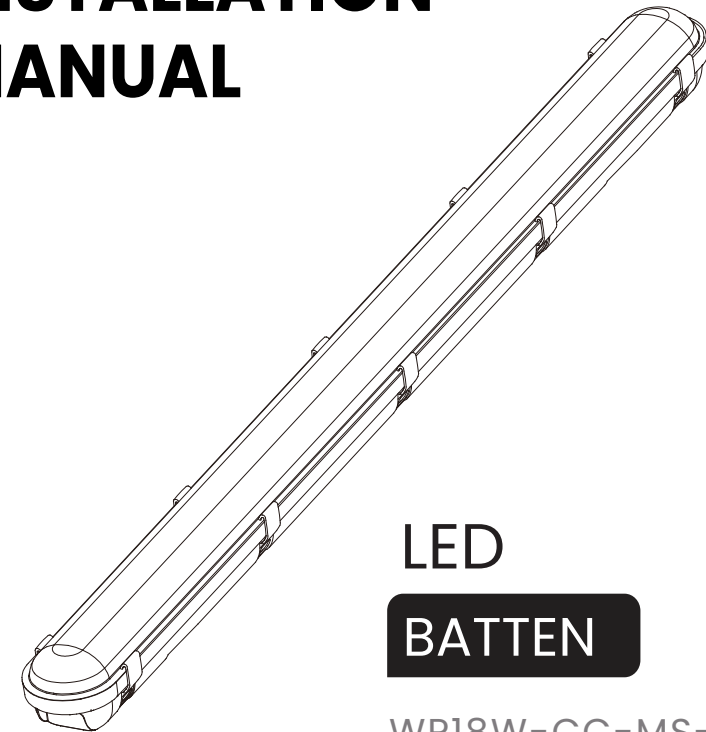


Please read instruction carefully before assembling and installation

 **POWER-LITE®**
Certainty at The Speed of Light

Low-voltage microwave waterproof Batten
with Dual DIP Switchers S1-Tri-Power / S2-Tri-CCT

INSTALLATION MANUAL



LED

BATTEN

WP18W-CC-MS-24V

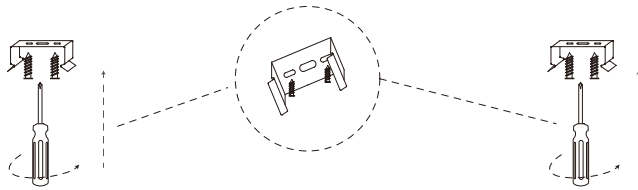
 **POWER-LITE®**

☎ 1800 909 306

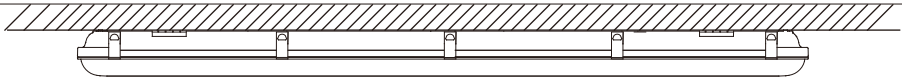
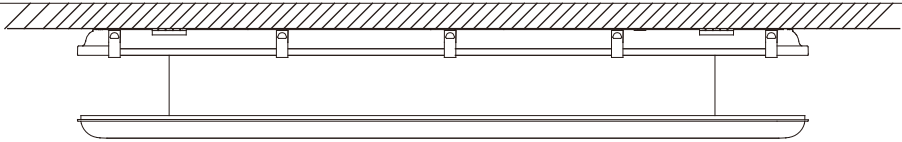
🌐 nedlandsgroup.com.au

✉ sales@nedlandsgroup.com.au

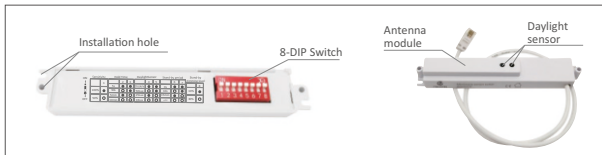
1. Mounting Buckles with tightening screws



2. Ceiling Mounting



Industry No.1 FS007B no dark areas	
Microwave frequency	5.8GHz±75MHz
Sensitivity	100%/50%
Hold time	5s/90s/5min/10min
Daylight threshold	10Lux/25Lux/50Lux/Disable
Stand-by period	0s/10min/15min/+∞
Stand-by dimming level	10%/30%
Mounting height	Max.5m (Ceiling mounted); 1.5-1.8m (Wall Mounted)
Detection range	Radius Max.6m (Ceiling mounted); Max.8m (Wall Mounted 1.8m)



3. Integrated microwave radar sensing function

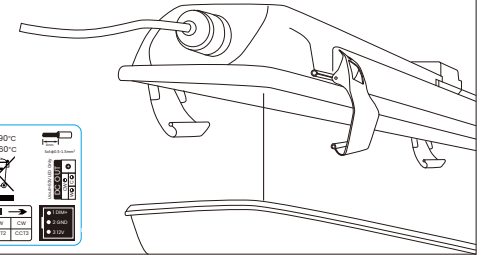
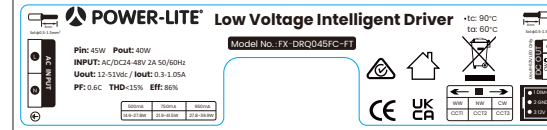
4. Low Voltage Intelligent Driver: FX-DRQ045FC-FT

S1-Tri-Power

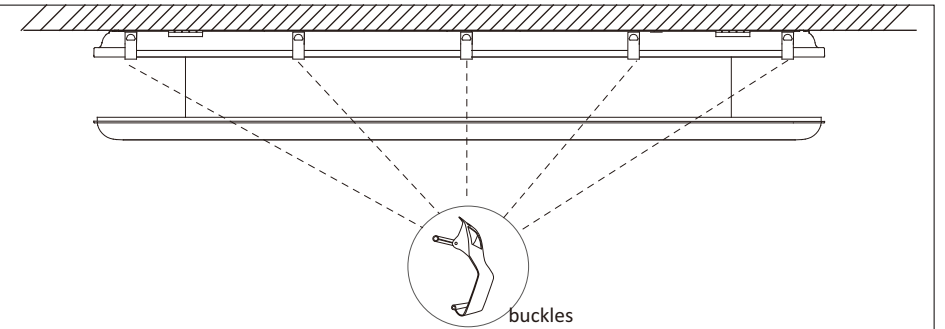
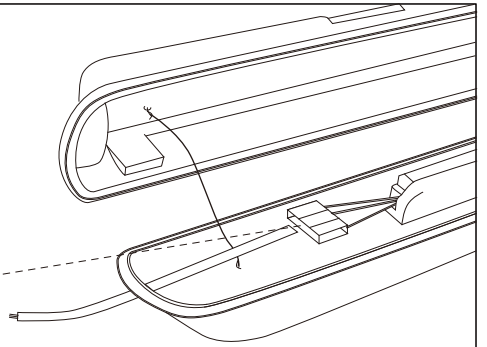
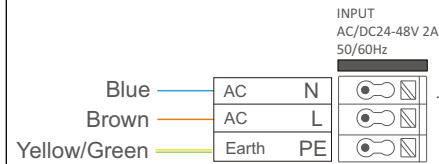
500mA	750mA	950mA
14.4°±27.8W	21.3°±41.5W	27.8°±59.5W

S2-Tri-CCT

WW	NW	OW
CCT1	CCT2	CCT3



5. Wiring diagram



6. Finally, close the side buckles and turn on.

