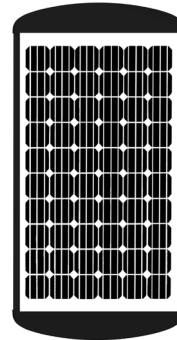




POWER-LITE®

Certainty at The Speed of Light



40W SOLAR

STREET LIGHT

ST-40W-SOLAR

The POWER-LITE® 40W Solar LED Street Light adopts a high efficiency monocrystalline silicon solar panel with a conversion rate of more than 21%. Produces more than 200lm/W and contains an A grade LiFePO4 battery for maximum longevity. Tool free maintenance, allowing for easy battery replacement. A perfect high performance street light for illuminating car parks, roads and pathways.

APPLICATIONS

Carparks
Streets



☎ 1800 909 306

🌐 nedlandsgroup.com.au

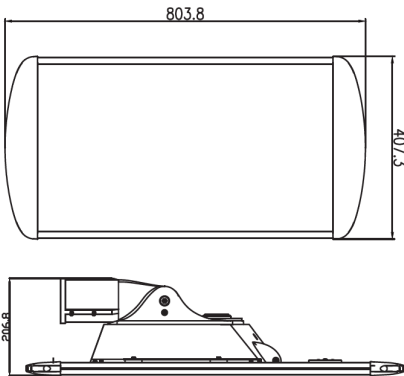
✉ sales@nedlandsgroup.com.au



POWER-LITE®

Certainty at The Speed of Light

DIMENSIONS	(mm)
Length	803.8
Width	407.3
Height	206.8



LED Chip
Lumileds 5050

Efficacy
200lm/W

Life Expectancy
50,000 hrs L70

Battery Type
LiFePO4 12.8V 24AH

Working Temp
-20°C to +60°C

Charge Time
6hrs (direct sunlight)

System Voltage
12V

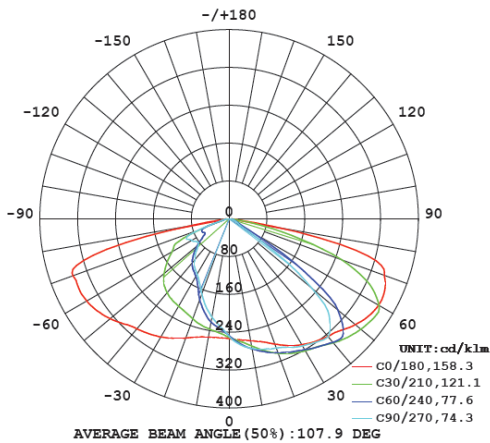
Material
Aluminium

Solar Panel Parameters
Monocrystalline
18V 50W

Spigot Size
To suit pole
60-80mm diameter

Carton Qty
1

PHOTOMETRICS



40W

6500K
8000lm

Black Frame
Colour

PRODUCT

CODE

SOLAR STREET LIGHT

ST-40W-SOLAR

IP66

IK09

150° x 70°
Beam Angle



POWER-LITE[®]

Certainty at The Speed of Light

SENSOR FACTORY SETTINGS



Light is activated when natural daylight falls below 10lux	Run Time	Light output when motion is detected	Light output in standby mode
	2H	100%	30%
	3H	50%	20%
	6H	20%	10%
	1H	30%	10%
Daylight > 10lux	Light will turn off		

INSTALLATION / ANGLE ADJUSTMENT



Pole Diameter (Ø): 60-80mm

MAINTENANCE ACCESS



Pivot access lid, for easy maintenance, meaning all components can be easily replaced.