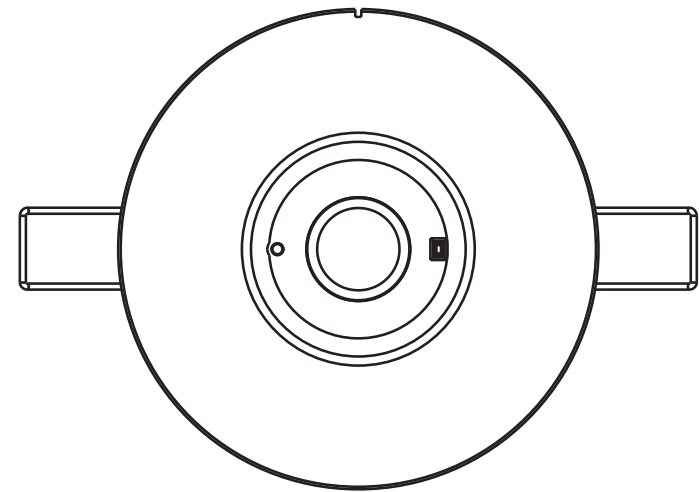


INSTALLATION MANUAL



LED EMERGENCY

LIGHT

LED4W-ENM

Features

- Supply Voltage:220-240VAC 50/60Hz
- Insulation Class: II
- Ingress Protection:IP20
- Emergency Duration: 2hours
- Battery Recharge Time: 16h
- Max Battery Temperature:60°C
- Ambient Temperature:0-40°C
- Charge indicator:Green LED
- Deep Discharge Protection DDP
- Assembly indoors to recessed
- Non-maintained Operation

Description

Item Code	Batteries	Power	Classification	Emergency time	Mode
LED4W-ENM	LiFePO4 6.4V 1500mAh	4W	390lm	2h	Open Area

- 1.All specifications are typical on the 230VAC unless otherwise stated.
- 2.The emergency function test must be performed when a battery is fully charged over 16 hours.
- 3.Do stocking:The best charging time will be once in 6 months for 16 hours.

Important

It is recommended that the unit is installed by a competent person ensuring the installation complies with the necessary standards.
The company accept no responsibility for incorrect installation, operation or maintenance.
After installation of the fitting, the battery must be charged for 16 hours.

220-240V
AC
50/60Hz

LED

IP20

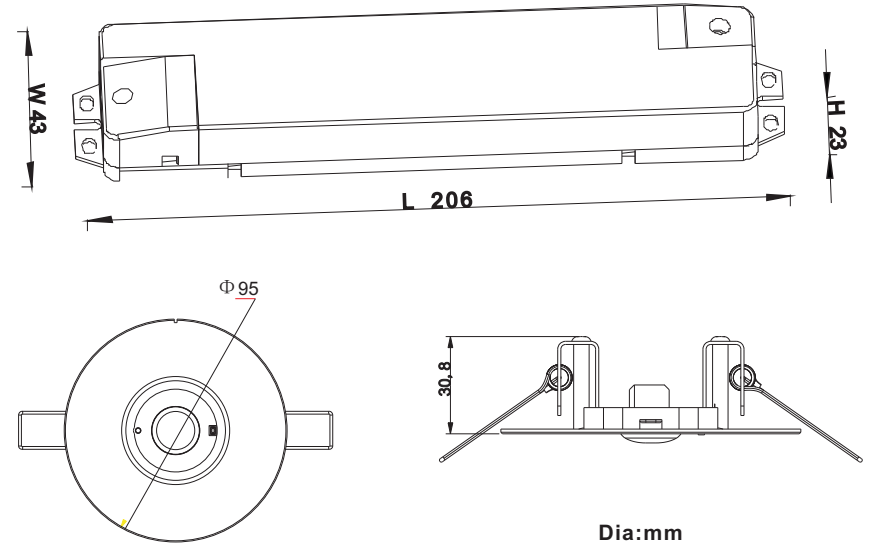


LiFePO4

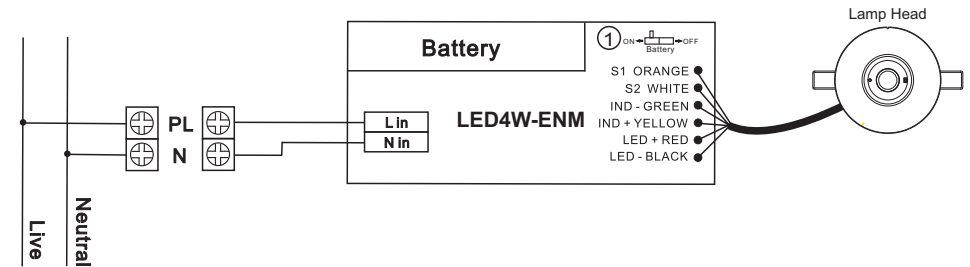
D63



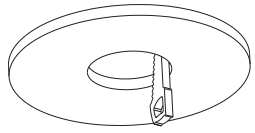
Dimensions



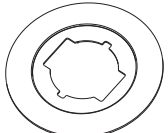
Connections



- ① Re-set Plug: "OFF" Battery is disconnected with the Emergency converter
"On" Battery is connected with the Emergency converter

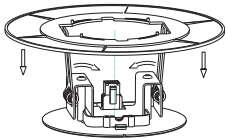


Step 1: Drill a hole on False ceiling
(Hole's Dia is 70-145mm)

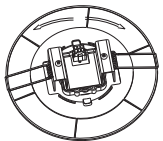


accessory

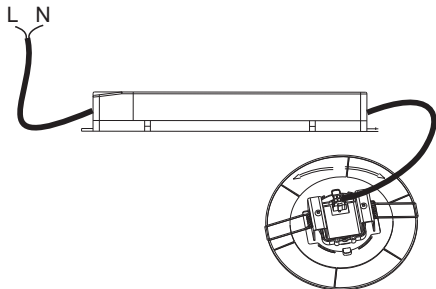
If the size for hole is within the range of 91-145mm, it is necessary to add a extra bigger ring. Add accessory as below:



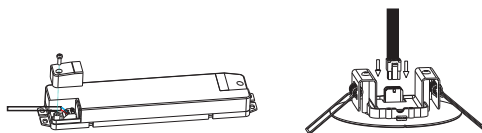
Fix the springs into the big ring follows the picture.



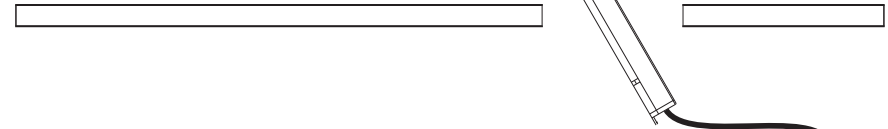
Adjust the lamp head with the right position.



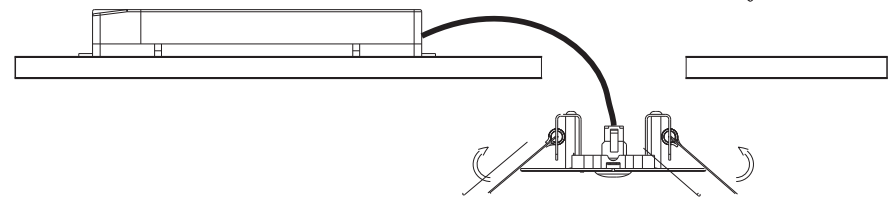
Step 2: Wiring



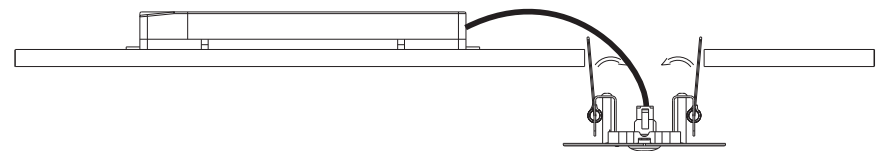
Step 3: Put the driver into the false ceiling through the hole first.



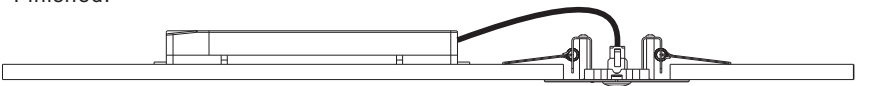
Step 4



Step 5



Finished.



Additional Guidelines

Ensure correct polarity of the battery
The drawing in the fitting may vary to the actual product, connect as per label on fitting.
When fitting a flush fitting, refer to installation instruction, including any ceiling manufacturer's instructions.