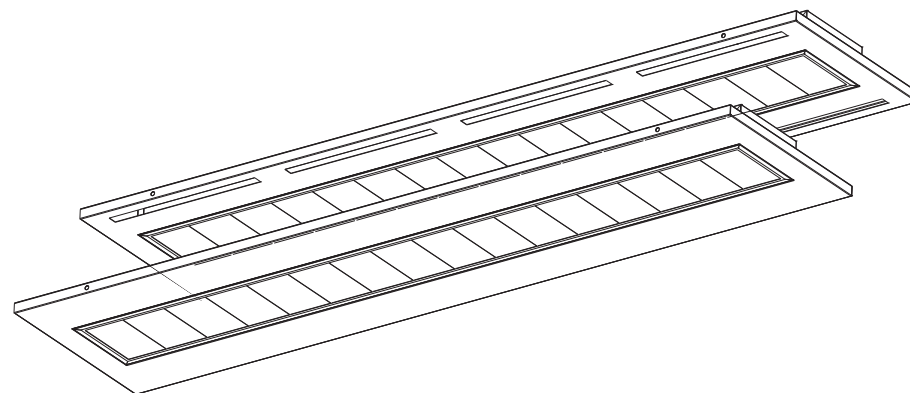


INSTALLATION MANUAL



LED LOUVRED

TROFFER

LT28W-120/30

LT28W-120/30-AC

Safety Instructions

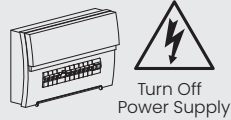
Basic safety precautions should always be followed when installing, including the following:

1. Read instructions carefully before installing.
2. This LED Panel requires professional installation and maintenance.
3. The power supply of the LED Panel should be powered by a dedicated external LED driver.
4. Disconnect the power supply before installing or maintenance.
5. Make sure the wires have been properly connected before powering on the device.
6. Ensure the product has enough space for heat dissipation.
7. Ensure the luminaries are never covered by any heat insulation mat or slim layer material at anytime.
8. Dimmable version could be compatible with a wide range of Triac/0-10V/DALI dimmers.
9. IP40 for indoor use only, not for damp location; IP54 for indoor damp location; IP65 waterproof for both indoor and outdoor applications.
10. Ambient Temperature: -10°C to $+45^{\circ}\text{C}$, Avoid direct sunlight.
11. Storage Conditions: Cool & dry conditions.

Installation Procedure

WARNING

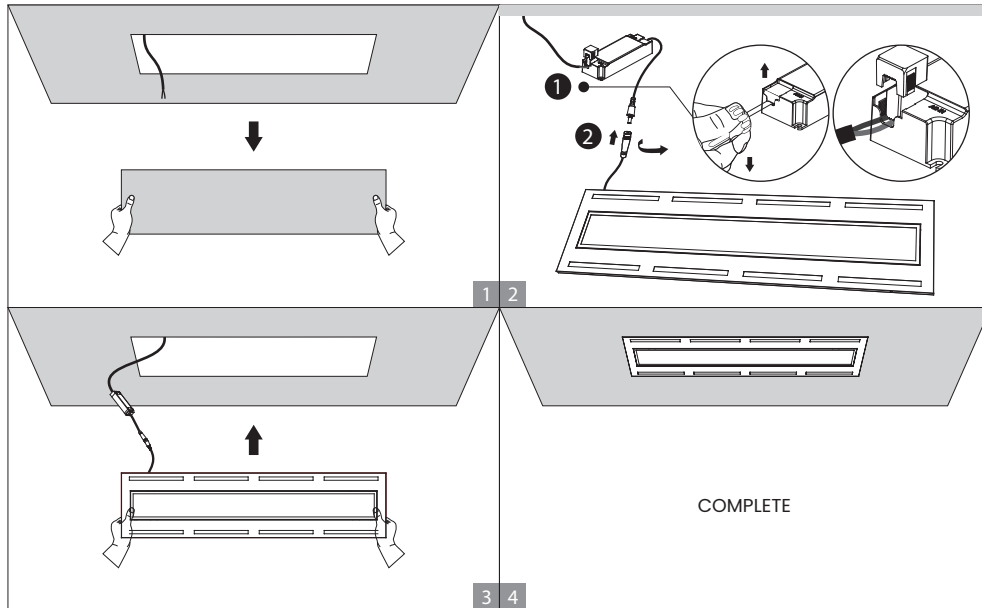
1. Switch off before installation.
2. Switch on only after complete installation and examination of the circuit.



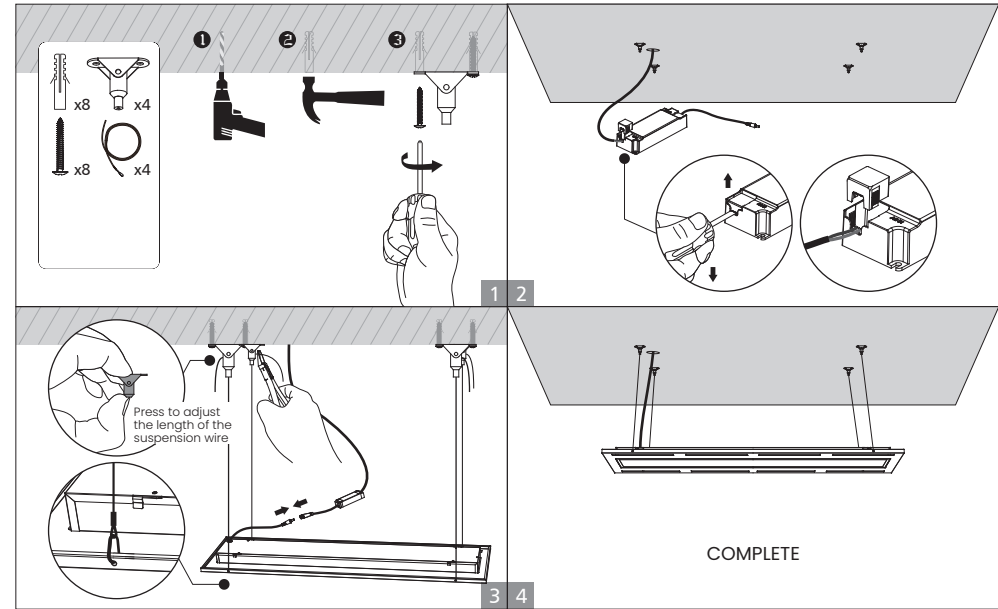
CAUTION

Make sure that the mounting surface or structural member used for installation can support the weight of LED Panel.

Recessed Installation



Suspended installation



Replacement of Module

