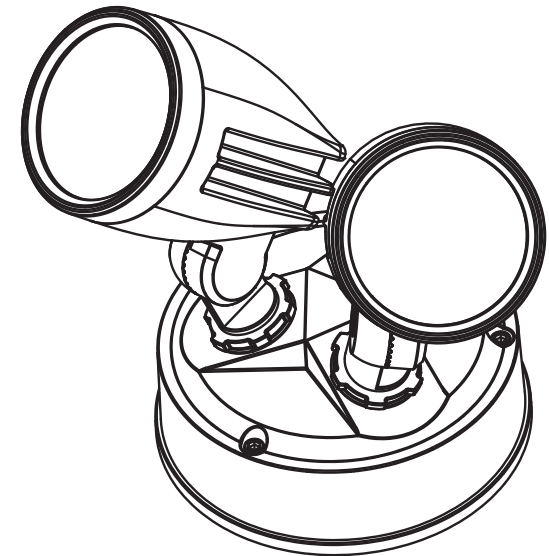
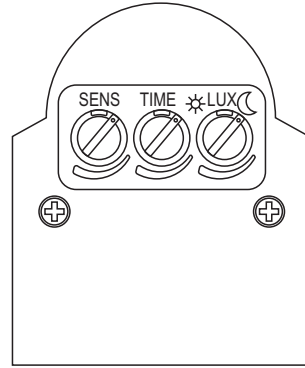


INSTALLATION MANUAL



WITH SENSOR FULLY INSTALLED BY ELECTRICIAN AND POWER ON:

1. Rotate "TIME" dial anti-clockwise to minimum
2. Rotate "SENS" dial clockwise to maximum
3. Rotate "LUX" dial clockwise to daylight(SUN)
4. Move around (walk past or wave hands and arms) and the sensor should turn on the lamps if you are close enough
5. You can adjust the sensor head direction and lamp directions until you achieve the desired setup
6. Once tested and satisfied the time dial can be turned anti-clockwise to the desired time duration
7. For "LUX" setup, adjust the "LUX" dial anti-clockwise to minimum (moon), and wait until light conditions outside are at the level you wish the sensor to operate. (For instance dust)
8. Adjust the "LUX" dial clockwise until the lamps turn on
9. Adjust "TIME" to desired duration



Dial settings show TEST MODE

Understanding the controls

ADJUSTING THE DURATION TIME:

The length of time that remains switched on after activation can be adjusted from 5 seconds to 6 minutes. Rotating the TIME knob clockwise will reduce the duration time.

Note: once the light has been triggered by the PIR sensor any subsequent detection will start the timed period again from the beginning.

ADJUSTING THE LUX CONTROL LEVEL:

The Lux control module has a built-in sensing device (photocell) that detects daylight and darkness. Rotating the LUX knob clockwise is from light (☀️) to dark (🌙). The (☀️) position denotes that the floodlights will work at day and night, and the (🌙) position will only work at night. You can set the unit to operate at the desired level by adjusting the LUX knob.

Setting the controls

1. Turn the Lux control knob to light (☀️) position, turn the wall switch on and wait half a minute for the control circuit to stabilize. At this stage ensure that the TIME control knob is set at minimum. The floodlights on the security light will now switch on and will remain on for about 30 seconds.
2. Direct the sensor toward the desired area to be scanned by adjusting the elbow joint and the swivel joint on the sensor arm.
Important: loosen all lock nuts and screws on sensor and lamp holders before making any adjustments.
3. Have another person move across the centre of the area to be scanned and slowly adjust the angle of the sensor arm until the unit senses the presence of the moving person, causing the floodlights to switch on.

4. Adjust time control to required setting.
5. To set the light level at which the floodlights will automatically switch "on" at night, turn the LUX control knob from daylight to night. If the floodlights are required to switch on earlier, e.g. Dusk, wait for the desired light level, then Slowly turn the Lux control knob towards daylight while someone walks across the centre of the area to be detected. When the floodlights switch on, release the LUX control knob. You may need to make further adjustments to achieve your ideal light level setting.

SPECIFICATIONS:

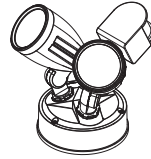

Detection beam angle: 180°.

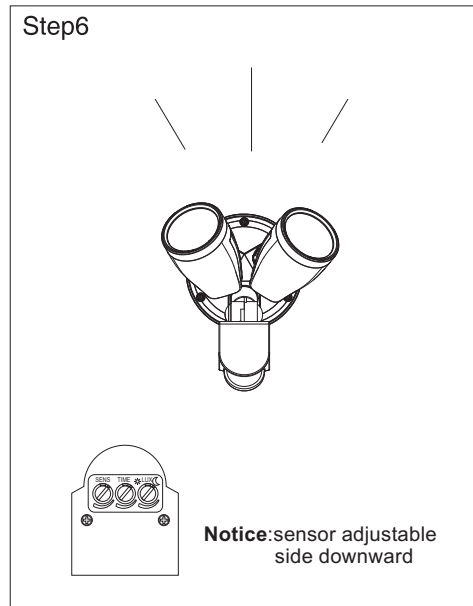
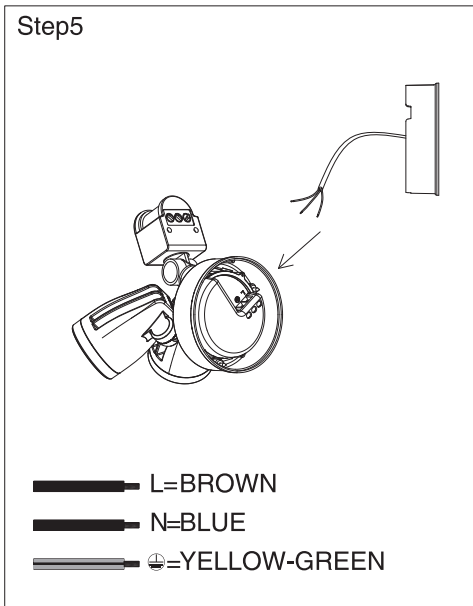
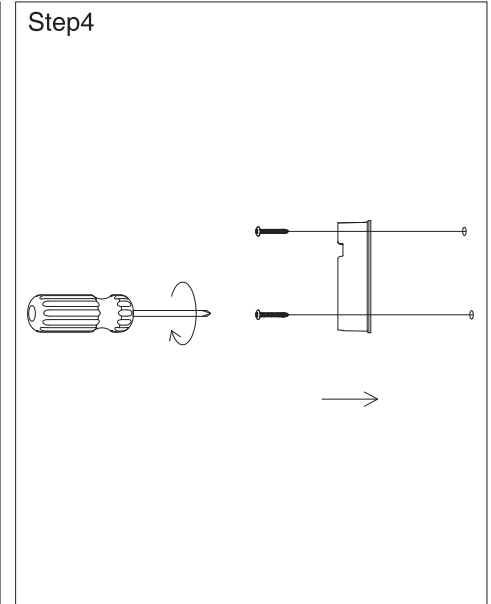
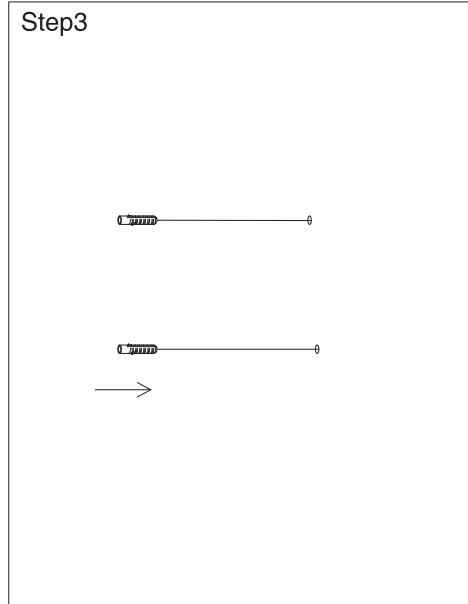
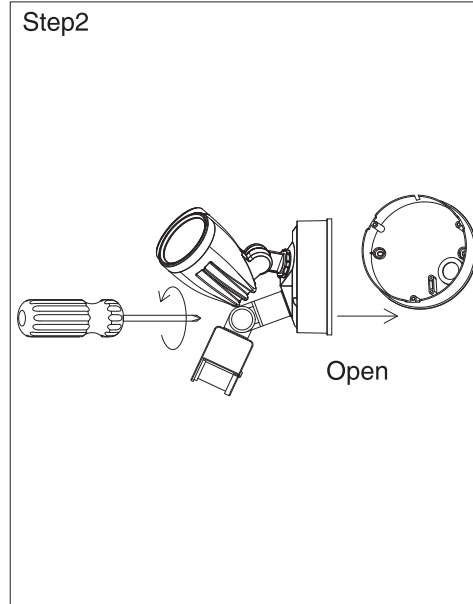
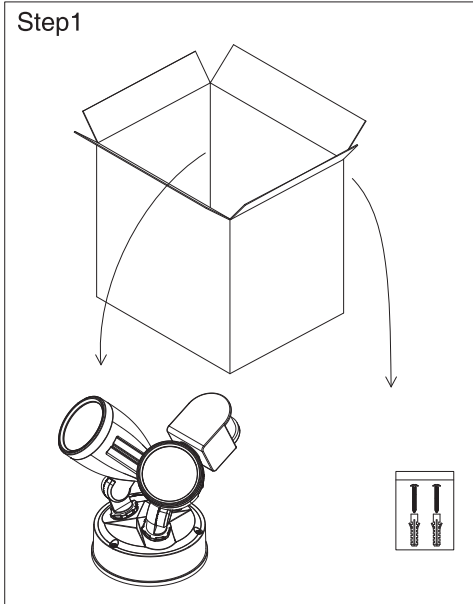
Detection range: Max. 10 metres at 24 scan.

Duration Time adjustment: 5 seconds to 6 minutes.

Detection circuitry: Passive Infra Red(PIR).

Wall Light Series

	Dimension	Power	Voltage	CCT	PF	Protection grade	Dimming	Lifespan
Double head & Sensor	 Ø76*Ø133mm	26W	AC100-240V 50/60Hz	3000K 4000K 5000K 5700K	0.9	IP54	NO	40000h
Double head	 Ø76*Ø133mm	26W	AC100-240V 50/60Hz	3000K 4000K 5000K 5700K	0.9	IP65	NO	40000h



- Step 1: Take out wall lamp and accessory pack from box.
- Step 2: Unscrew bottom seat and take it apart from lamp body.
- Step 3: Knock-in the plastic anchor into ceiling according to hole site of bottom seat.
- Step 4: Fix bottom seat with screw into ceiling.
- Step 5: Wiring "L""N" "G" to terminal block and fasten the cord grips to protect wire from dislocation.
- Step 6: Fasten wall lamp back to bottom base, then restore power and switch on for correct operation.



- 1. Switch off before installation.
- 2. Switch on only after complete installation and examination of the circuit.
- 3. Professional electrician for installation and maintenance only.

3 years warranty from the purchasing date on the premise of using strictly as instruction