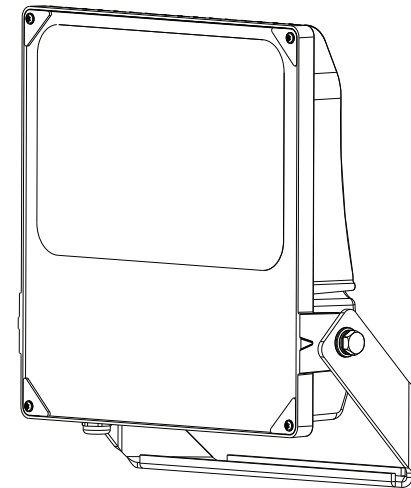


INSTALLATION MANUAL



Important Safety Instructions

To ensure correct function and safety, please read and follow all instructions carefully before using the product:

1. Please do not modify or dismantle the luminaire or replace accessories without confirming with the supplier first.
2. Please authorise only qualified electrician to install the luminaire and ensure they follow the installation manual. Any improper installation might cause falling, electric shock, fire, or other injury, damage or hazard.
3. Please disconnect power before installation or any maintenance of the lamp. Do not touch the power supply when the lamp is operating.
4. If the luminaire begins to smoke or emit odors, please
8. Never put anything on the product or hang anything on any part of this product.

When the product does not light:

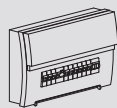
- Ensure the unit is charged.
- Ensure it is switched on.

9. Always disconnect the product from mains at least 10 minutes allowing to cool down before any maintenance or adjustment.

Installation Procedure

WARNING

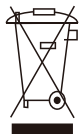
1. Switch off before installation.
2. Switch on only after complete installation and examination of the circuit.
3. Professional electrician for installation and maintenance only.



Turn Off power supply before starting any installation. Read instructions & check you have all the tools & accessories to complete the installation correctly.

Cleaning Care

The lamp can be cleaned with a clean dry cloth. Do not immerse it in water. Always switch off the supply before cleaning.



This product should be disposed of responsibly at the end of its life. Please recycle where facilities exist. Check with your Local Authority for recycling advice (Waste Electrical and Electronic Equipment).

Charging

When charging, only use the charge lead supplied.

Use the power cord provided to charge the batteries by inserting the power cord into the connector on the underside of the work light. The 2 flashing Red LEDs on the front of the light indicates that the item is charging. When the Red LED's are static, this will indicate that the battery is fully charged. (see below for charge times).

IMPORTANT NOTE:

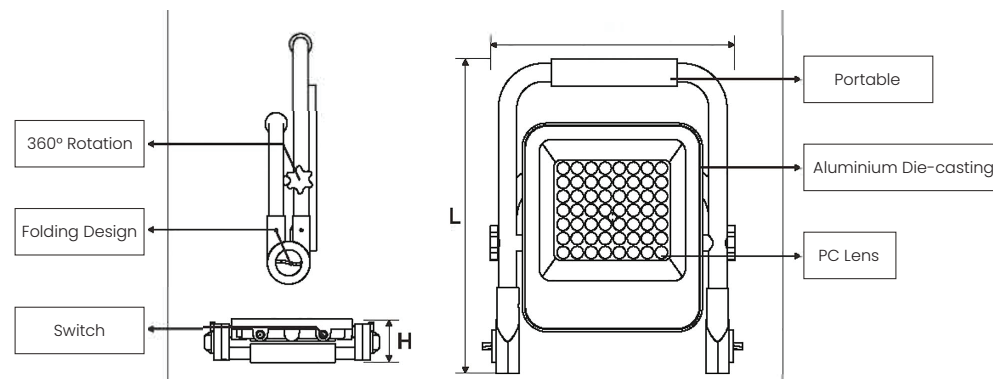
While charging, the unit **CANNOT** be operated.

Disconnect the charging lead from the product in order to operate this worklight.

CHARGE TIMES (To full charge)

	1A	2A	3A
30W	10-11	5-6	3.5-4.5
50W	15-16.5	8-9	5.5-6.5

Diagram



Product Advantages and Features

- Function shift:
 1. 100% power
 2. 60% power
 3. 20% power
 4. Emergency light
- High lumen LED SMD with 50,000hrs life span.
- PC outdoor optical lens, high light transmittance.
- High quality aluminium magnesium alloy housing.
- Back up time:
 1. 100% power: **4 hours**
 2. 60% power: **9 hours**
 3. 20% power: **12 hours**