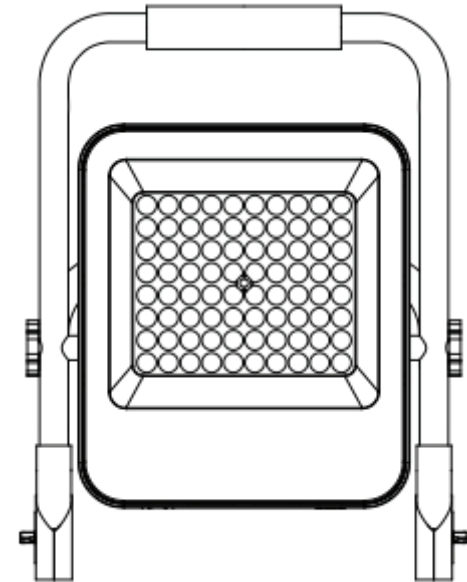


INSTALLATION MANUAL



Important Safety Instructions

To ensure correct function and safety, please read and follow all instructions carefully before using the product:

1. Always organise cables and extension leads so that they will not be a trip hazard.
2. If the power cord of this luminaire is damaged, it must be replaced.
3. Check the pack and make sure you have all of the parts listed.
4. Remove all packaging, wrap etc. from the product.
5. Decide on the appropriate location for your product.
6. IP65 product: Totally protected against dust. Protected against low pressure jets of water from all directions. Limited ingress permitted.
7. Always refer to the installation instructions for correct use.
8. Never put anything on the product or hang anything on any part of this product.
When the product does not light:
 - Ensure the unit is charged.
 - Ensure it is switched on.
9. Always disconnect the product from mains at least 10 minutes allowing to cool down before any maintenance or adjustment.

Installation Procedure

WARNING

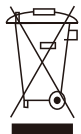
1. Switch off before installation.
2. Switch on only after complete installation and examination of the circuit.
3. Professional electrician for installation and maintenance only.



Turn Off power supply before starting any installation. Read instructions & check you have all the tools & accessories to complete the installation correctly.

Cleaning Care

The lamp can be cleaned with a clean dry cloth. Do not immerse it in water. Always switch off the supply before cleaning.



This product should be disposed of responsibly at the end of its life. Please recycle where facilities exist. Check with your Local Authority for recycling advice (Waste Electrical and Electronic Equipment).

Charging

When charging, only use the charge lead supplied.

Use the power cord provided to charge the batteries by inserting the power cord into the connector on the underside of the work light. The 2 flashing Red LEDs on the front of the light indicates that the item is charging. When the Red LED's are static, this will indicate that the battery is fully charged. (see below for charge times).

IMPORTANT NOTE:

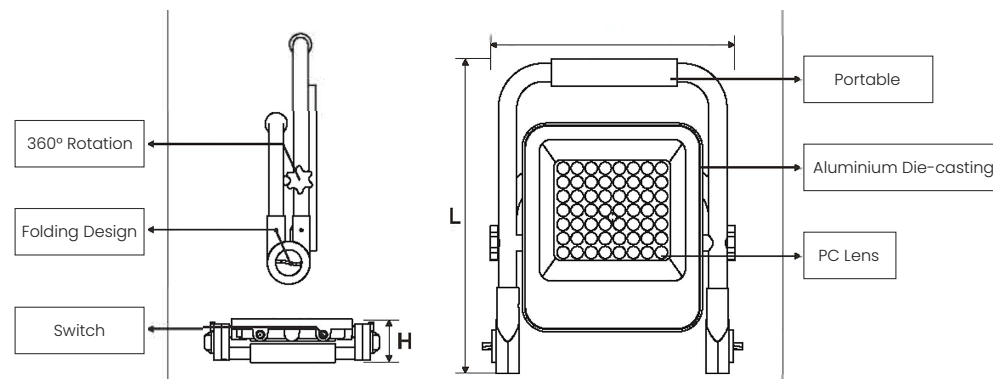
While charging, the unit **CANNOT** be operated.

Disconnect the charging lead from the product in order to operate this worklight.

CHARGE TIMES (To full charge)

	1A	2A	3A
30W	10-11	5-6	3.5-4.5
50W	15-16.5	8-9	5.5-6.5

Diagram



Product Advantages and Features

- Function shift:
 1. 100% power
 2. 60% power
 3. 20% power
 4. Emergency light
- High lumen LED SMD with 50,000hrs life span.
- PC outdoor optical lens, high light transmittance.
- High quality aluminium magnesium alloy housing.
- Back up time:
 1. 100% power: **4 hours**
 2. 60% power: **9 hours**
 3. 20% power: **12 hours**