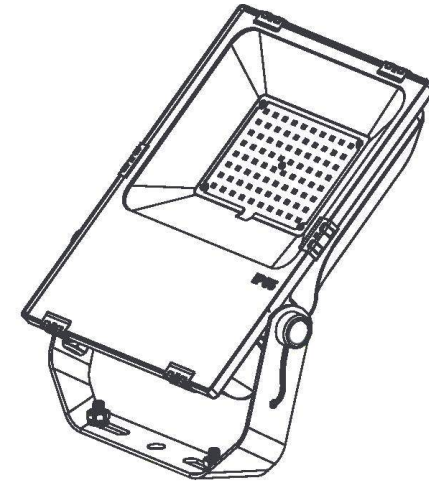


INSTALLATION MANUAL



LED SLIMLINE

FLOOD LIGHT

LED-SFL50W

LED-SFL100W

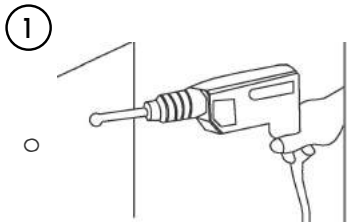
LED-SFL150W

LED-SFL200W

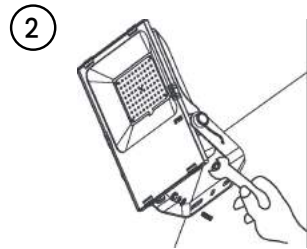
Warning

1. To avoid damage, falling, electric shock or fire, please do not modify the lamp or replace accessories without confirming with the supplier first.
2. Please authorise only qualified personnel to install the lamp and ensure they follow the instruction manual. Any improper installation might cause falling, electric shock, fire or other injury, damage or hazard.
3. Please disconnect power before installation or any maintenance of the lamp.
4. Please disconnect power if it begins to smoke or emit odours, since fire or electric shock may occur. Ask qualified person to inspect and maintain the luminaire.
5. Please do not dismantle the lamp without the supplier's authorisation.
6. Please do not touch the power supply when the lamp is operating.
7. If the external flexible cable or cord of the luminaire is damaged, it should only be replaced by the supplier, a service agent or qualified person.

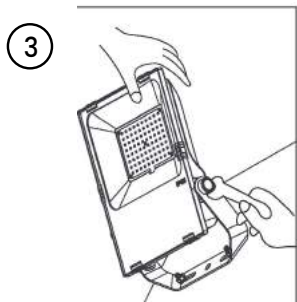
Installation Instructions



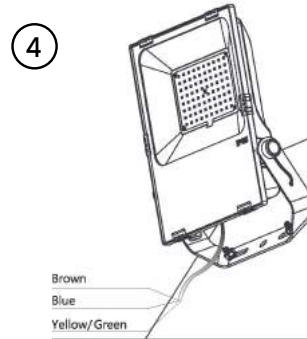
1. Drill the holes on the mounting surface according to the size of the bracket holes.



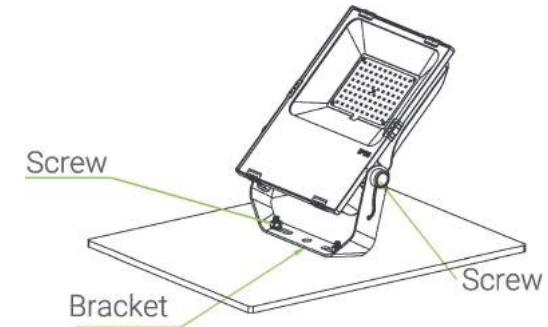
2. Lock the screws tightly.



3. Loosen the screws on both sides of the bracket, and adjust the lamp for the desired angle.



4. Connect the AC line, Brown and Blue is connected with L, N, and the Yellow / Green line is connected to the ground. Then connect the power.



Wiring Diagram

Input (AC)

L	■	brown
N	■	blue
GND	■	yellow/green

Troubleshooting

Problem	Possible Cause	Solutions
LEDs stop working	The power line is improperly connected.	Reconnect the power cable.
	The power plug is loose.	Firmly plug the power in.
	The LED driver malfunctions.	Replace with new driver.
	The LED chip is damaged.	Replace with new LEDs.
LEDs flash on and off	The output of the driver is abnormal.	Replace with new driver.
	The LED chip breaks down.	Replace with new LED chip.