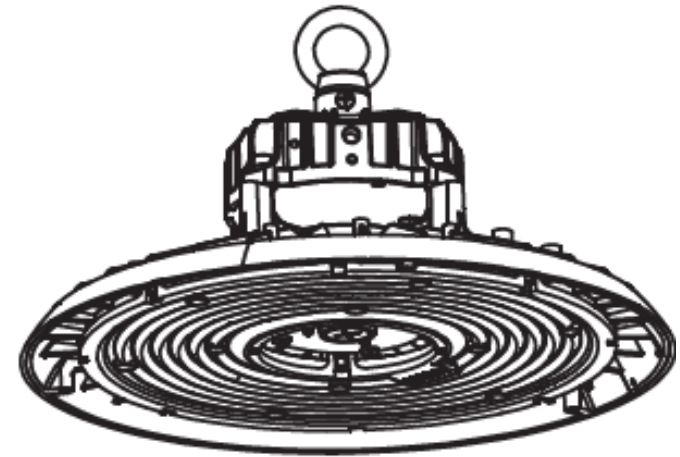
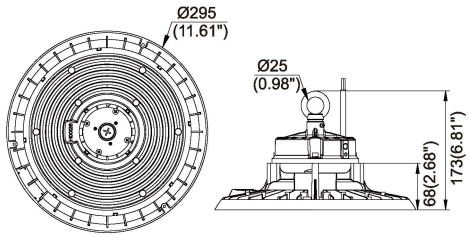


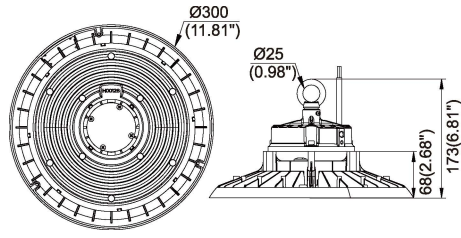
INSTALLATION MANUAL



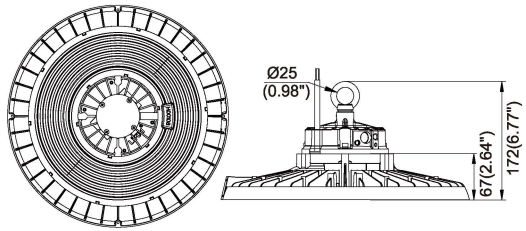
Physical Dimensions (Unit: mm/inch)



Normal:100W
High Efficacy: 80W



Normal:120W/150W
High Efficacy: 120W

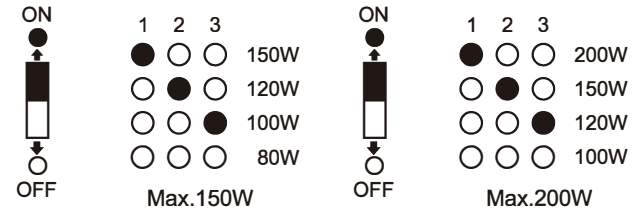
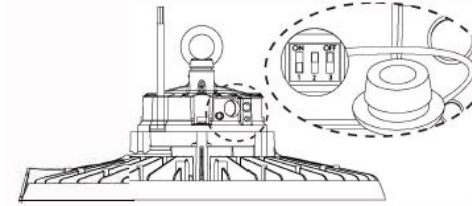


Normal:200W
High Efficacy: 150W/200W

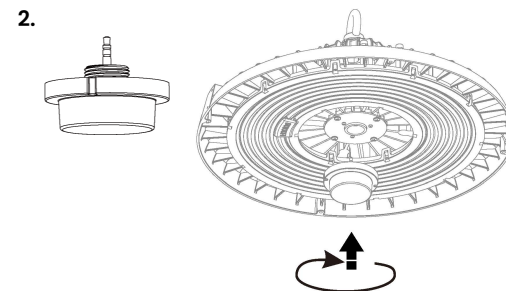
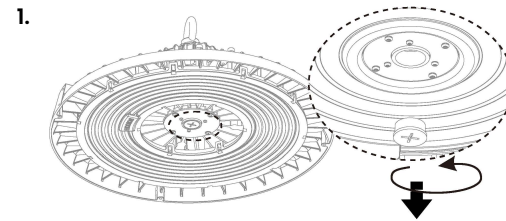
Adjustable Power

Caution:

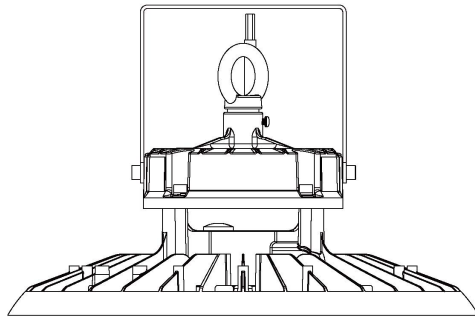
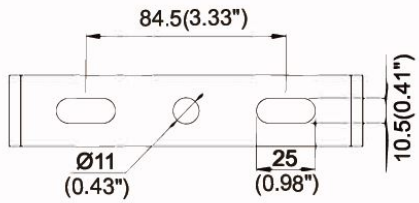
- Please power off the luminaire before adjusting the DIP switch.
- Please do not use metal tool to adjust the DIP switch
- Please adjust the switch gently.



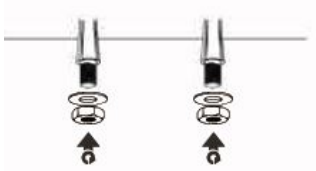
Motion Sensor Option (if applicable)



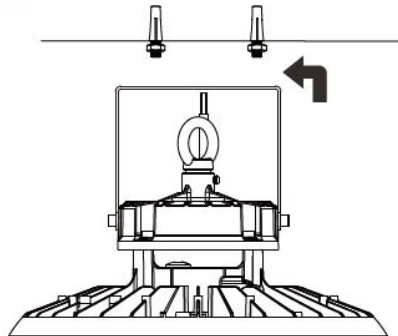
Installation Instructions - Bracket



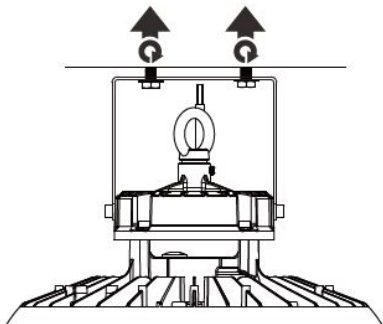
1.



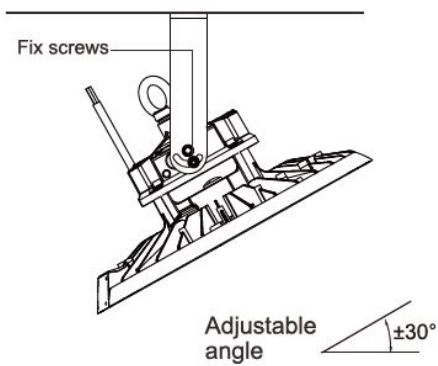
2.



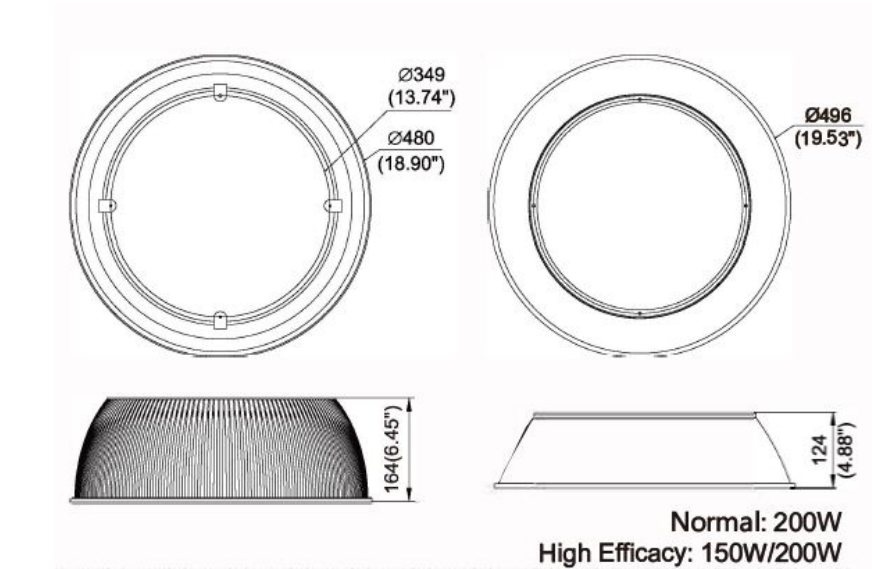
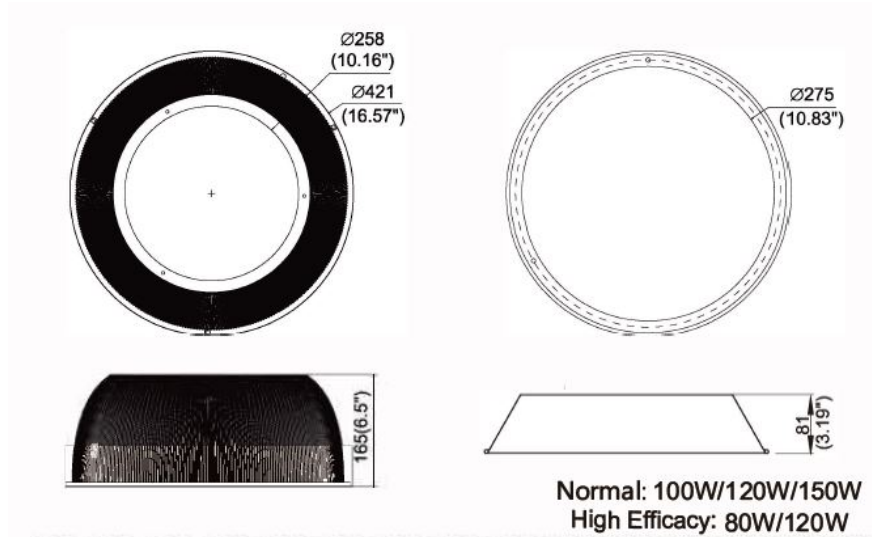
3.

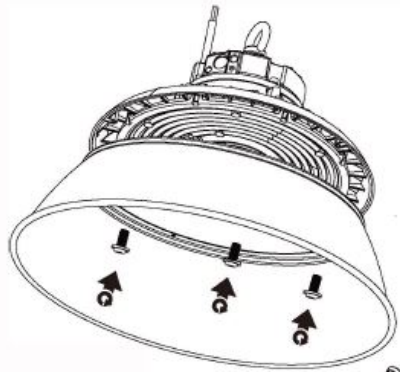


4.

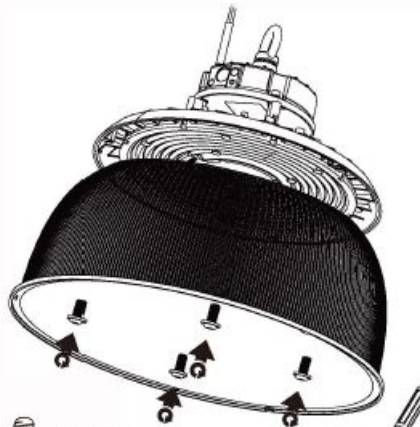
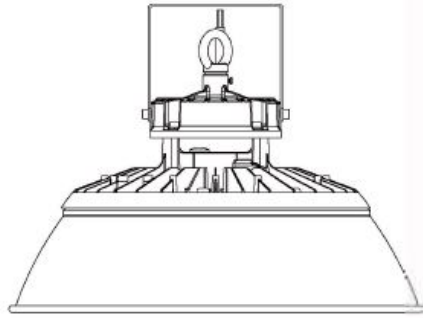


Physical Dimensions (Unit: mm/inch)

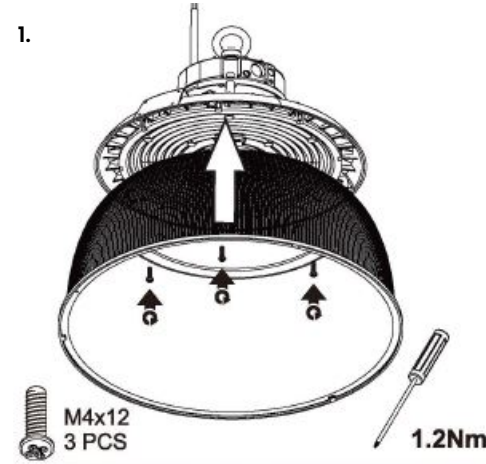
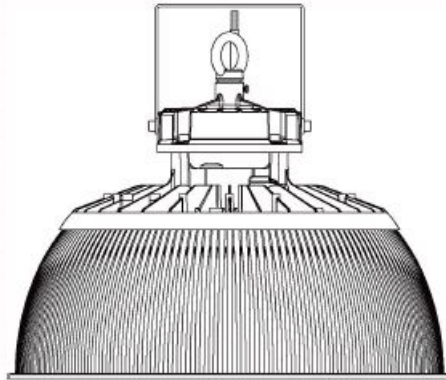




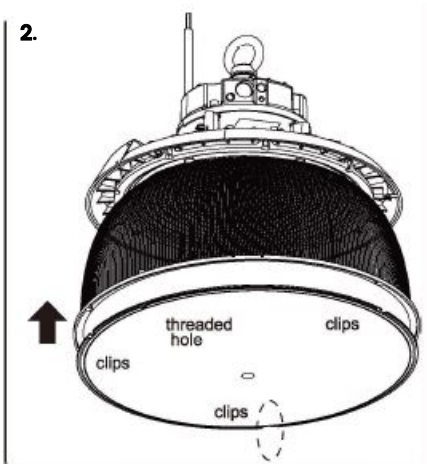
M4x12
3 PCS
1.2Nm



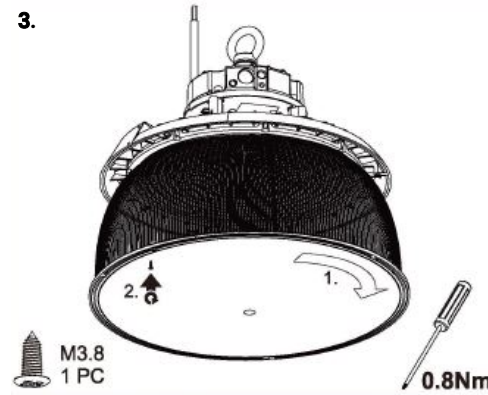
M4x12
4 PCS
1.2Nm



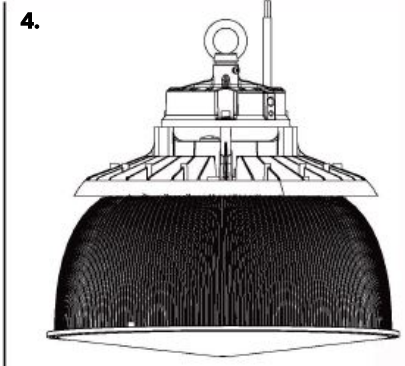
Install the anti-glare diffuser body to LED high bay with 3 supplied screws.



Put the clips and threaded hole to matching positions.



Push the cover in clockwise direction to make the clips locked tight, fasten the diffuser body and cover with the supplied screw.



COMPLETE.

		Dimmable	
L	—	brown	black
N	—	blue	white
⊕ GND	—	yellow/green	green
		12V+	black/white
		DIM+	purple
		DIM-	gray

If the external flexible cable or cord of this luminaire is damaged, it shall be exclusively replaced by the manufacturer or his service agent or a similar qualified person in order to avoid a hazard.