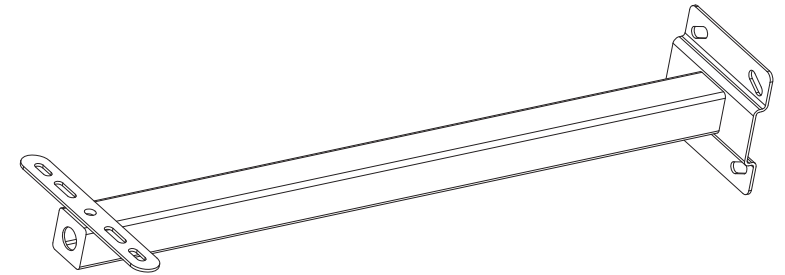


INSTALLATION MANUAL

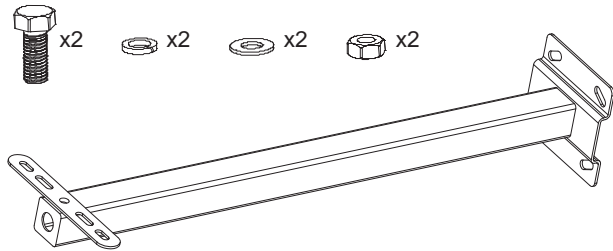


WALL MOUNT

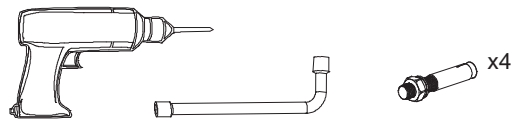
BRACKET

FLWMB01, FLWMB15

Includes

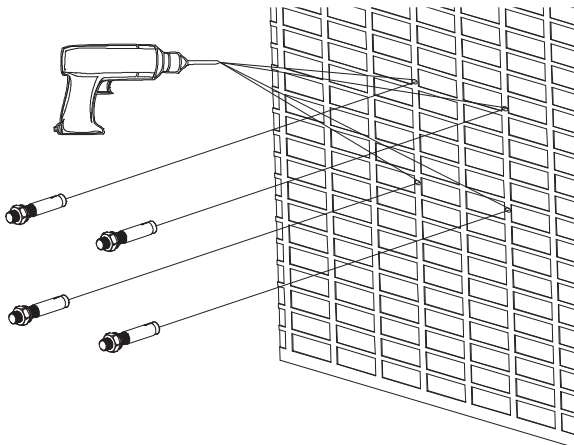


Excludes



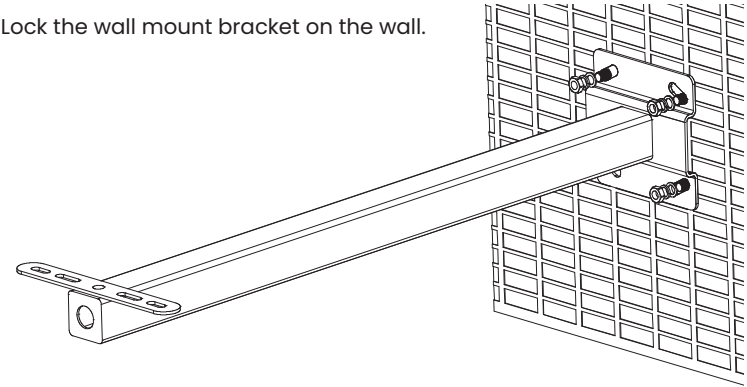
Installation Instructions

Step 1: Drill 4 holes in the wall, and install 4 expansion bolts on the wall.



Installation Instructions

Step 2: Lock the wall mount bracket on the wall.



Step 3: Fix the LED Flood light U bracket on the wall mount bracket.

