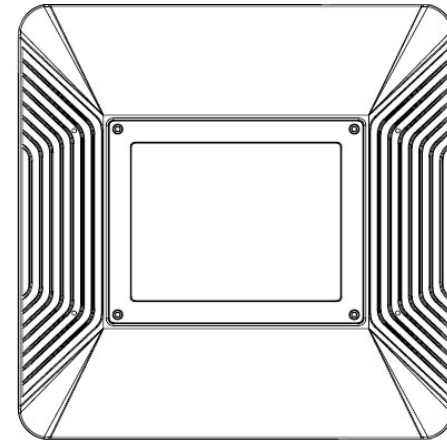
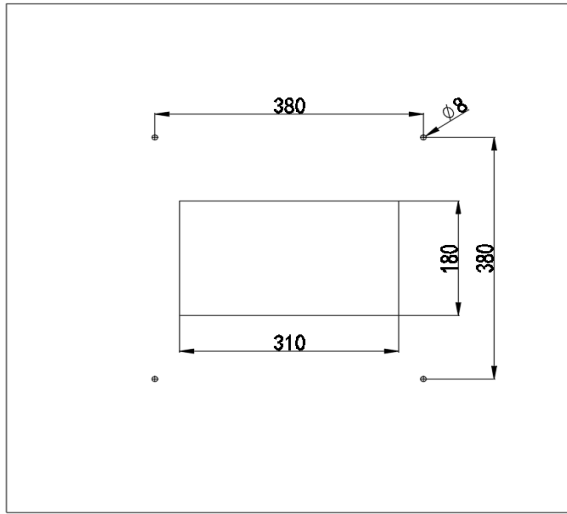


INSTALLATION MANUAL

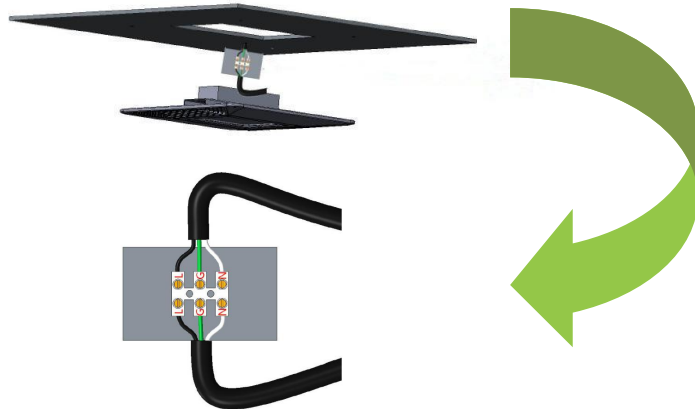


Installation Instructions

Step 1: Cut a hole in the ceiling to the dimensions shown below.

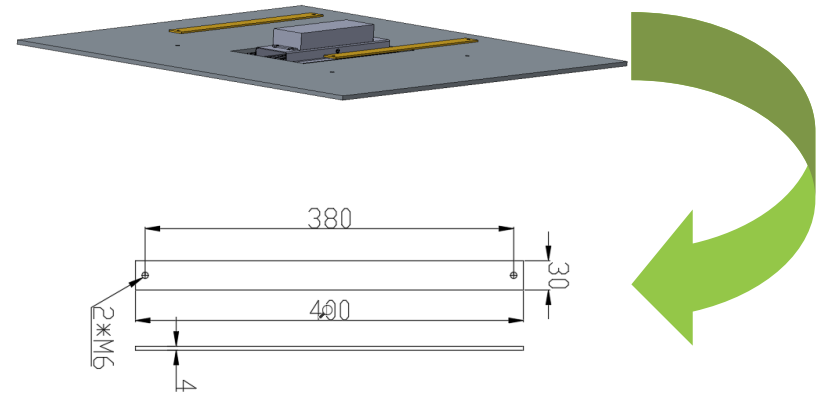


Step 2: Connect the L, N, GND wires on the lamp to the corresponding wires.



Installation Instructions (continued)

Step 3: Place the plate on the ceiling and align it with the hole, then place the lamp in the plate.



Step 4: Finally fix it to the ceiling using 4 M6 screws.

