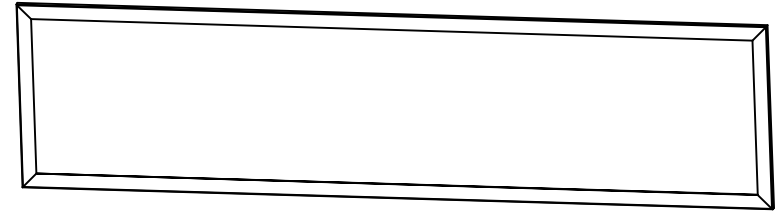


INSTALLATION MANUAL



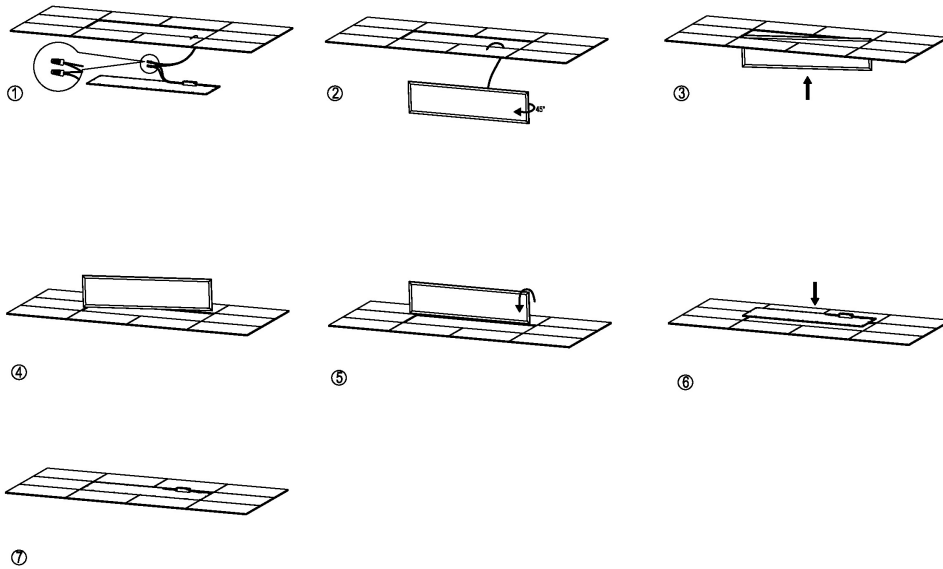
LED CYANOSIS

PANEL

LED-CLP25W-30/60, LED-CLP36W-60SQ
LED-CLP36W-120/30, LED-CLP48W-120/60

Installation Procedure - Recessed

1. Ensure the power to the circuit being used is isolated until the job is completed.
2. Refer to images below:



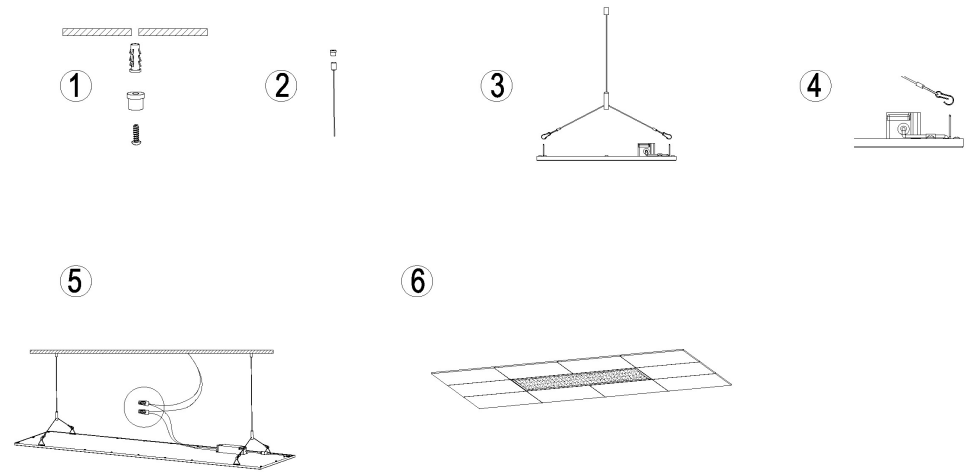
Warning

1. Please use the product within the specified range of voltage.
2. Please follow the correct installation steps to install the product or ask a qualified electrician to install, and do not touch it when working.
3. Do not look directly at the LED light source for a long time.

Warranty Terms

1. 5 years warranty replacement from date of purchase is offered for all LED lighting products.
2. Please provide the proof or pictures of faulty product during warranty period, or return the faulty products if needed.
3. Any warranty claim for replacement from the date of purchase is only valid if used correctly.

Installation Procedure - Suspended



Important

1. After installation, check to ensure a solid connections.
2. Check to ensure right connections of positive and negative terminal.
3. Check to ensure all screws are fixed well.