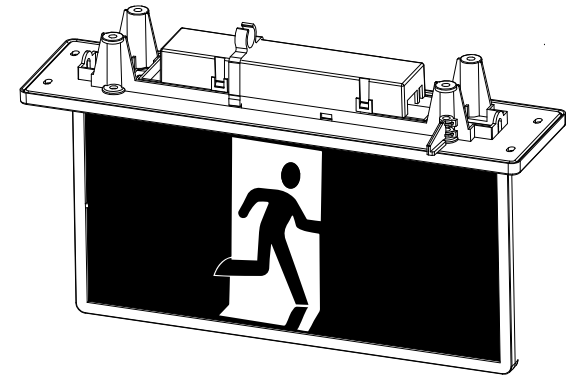


INSTALLATION MANUAL



Package Contents

Part	Description	Quantity
1	Emergency Lighting	1
2	Pictogram pack	1

Warnings and Cautions

1. Review the diagrams thoroughly before beginning.
2. All electrical connections must be in accordance with local codes, ordinances and the National Electric code.
3. Disconnect power at fuse or circuit breaker before installing or servicing.
4. Do not use outdoors.
5. Do not mount in hazardous locations, or near gas or electric heaters.
6. Do not let power cords touch hot surface.
7. Equipment should be mounted in locations and at heights where it will not be subjected to tampering by unauthorized personnel.
8. The use of accessory equipment not recommend by the manufacturer may cause an unsafe condition.
9. Do not use this equipment for other than intended use.
10. All servicing should be performed by qualified personnel only.
11. Allow battery to charge for 16 hours before first use.

Specifications

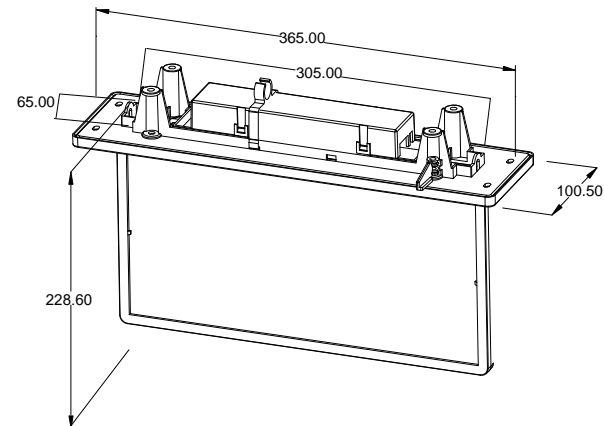
Voltage	220-240V
Frequency	50/60Hz
Ambient Temp.	0-40°C
Wiring	Flex and plug
Viewing Distance	24M
IP rating	IP20
Emergency Classification	C0:D1.6

Battery

Battery type	LiFePO4
Battery voltage	3.2V
Battery capacity	1300mAh
Duration	2 hours
Over-charge protection	
Over-discharge protection	

Construction and Dimensions

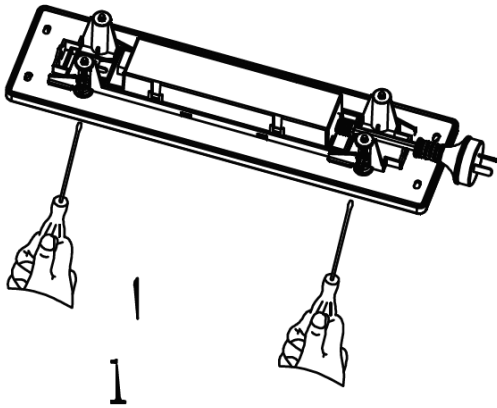
Body:	PC
Diffuser:	Acrylic
Cut out:	305X65mm
Gear Tray:	ABS



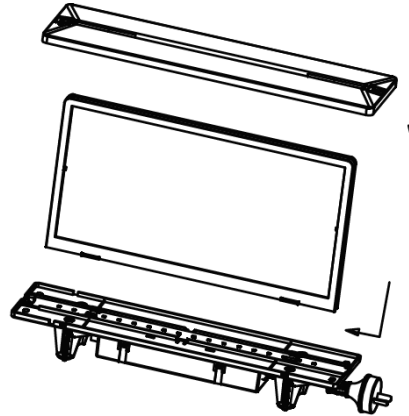
Mounting Instructions

NOTE: First turn off electricity.

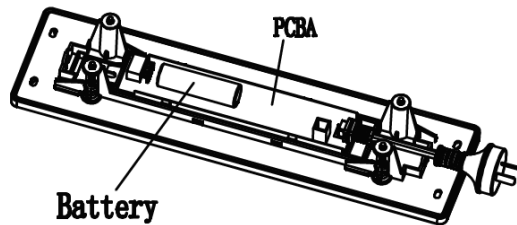
1. Unscrew the four screws, ensure and tighten the screws.



2. Place the panel back to fixture.



3. Connect the battery to PCB and securely attach the fixture onto the ceiling.



4. Plug the exit light LED directly into the existing GPO socket through the Australian plug.

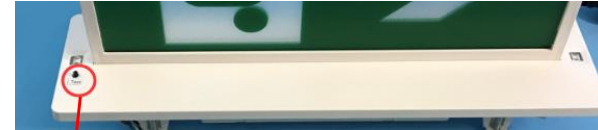
REPLACING THE BATTERY

Access the battery by removing the product cover. Disconnect and remove battery.

Replace battery as was previously installed. Battery can be connected in one direction only, do not force.

CAUTION

1. You want to test if emergency mode is normal, press the TEST button shown as below. If the indicator on, the emergency mode is normal.



2. This product **MUST BE INSTALLED BY A LICENSED ELECTRICIAN**. Disconnect mains before installing the product, when everything is okay; plug the product into the socket through the Australian plug. If the light on, indicate that the product is normal.
3. This luminaire is intended only for mounting in locations where the plug and socket are protected from unauthorised disconnection.
4. The light source of this luminaire is not replaceable; when the light source reaches its end of life the whole luminaire shall be replaced.
5. Type Y attachment: the power cord replacement can only be made by the manufacturer, his service agent or similarly qualified person.
6. Keep the instructions properly.