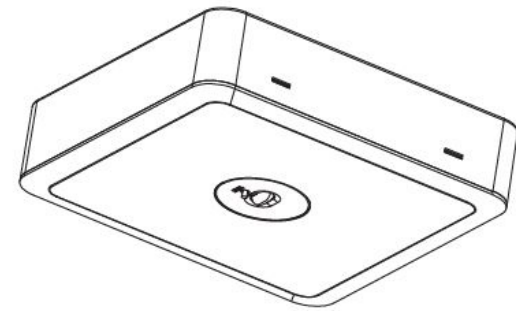
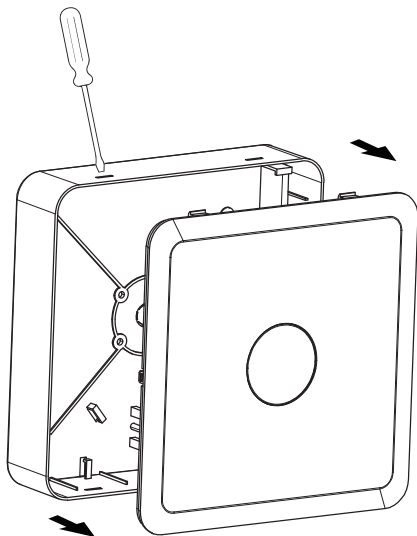


## INSTALLATION MANUAL



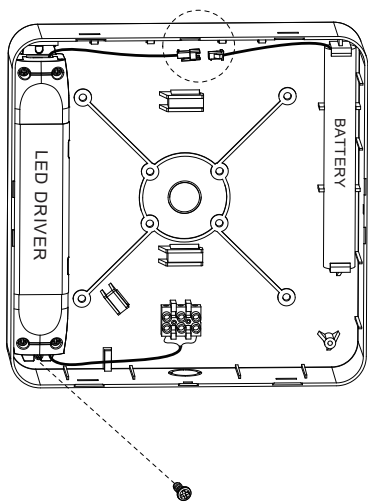
### Step 1

Unlock the cover of the surface mount box with a flat screwdriver.



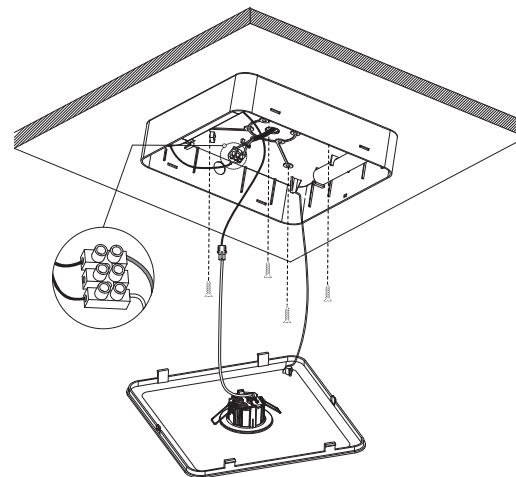
### Step 2

Fix LED driver, battery and PA terminal onto the base. Have battery connected to the driver, draw wires from the driver and connect them to the terminal.



### Step 3

Knock out the mains power cable entry hole, and fix the base onto ceiling with 4 screws. Connect the cable into terminal, have lamp head fixed onto cover, and safety rope connected, Connect the lamp head cable with driver.



### Step 4

Click the cover on the base, and finish installation.

