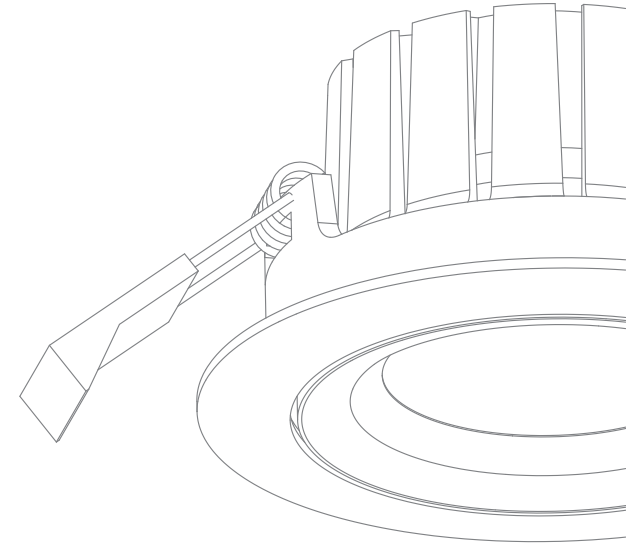


## INSTALLATION MANUAL



1800 909 306

[nedlandsgroup.com.au](http://nedlandsgroup.com.au)

[sales@nedlandsgroup.com.au](mailto:sales@nedlandsgroup.com.au)

### LED CIRCULAR

**PANEL**

CP16W-CC  
CP20W-CC

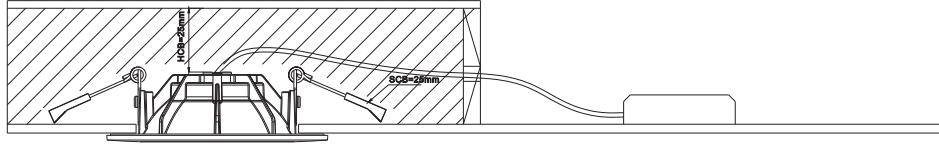
## Important Safety Instructions

Basic safety precautions should always be followed when installing, including the following:

1. Read all instructions.
2. Licensed electrician for installation only.
3. Always ensure the power is OFF and the fitting has cooled down before performing any maintenance, cleaning, changing the globe or adjustment to the fitting.
4. Do not install any luminaire near the heat source.
5. Do not exceed the nominal supply voltage or amperage ratings.
6. To avoid injury or damage to the fitting, please ensure that power leads and screws are secure before connecting the power.

## Installation Instructions

Fig 1: Installation Spacing



RISK OF FIRE-Required clearance from structural members and building elements  
SCB=25mm HCB=25mm MIC=0mm SCI=0mm

HCB: Height clearance to building element  
MIC: Minimum insulation clearance  
SCI: Side clearance to insulation  
SCB: Side clearance to building element

Tab 1: Ceiling cutout reference table.

circular panel light dia (inch)	2	2.5	3	3.5	4	5	6	8	10
Ceiling Cutout (mm)	60-65	68-75	90-95	100-110	120-130	140-150	160-170	200-210	230-260

NOTE: Before installation, please check the IP label on the luminaire to choose the right place to install.

IP20/IP40	Indoor use only, do not use in wet or damp place.
IP44/IP54	Suitable for indoor areas including bathrooms and covered/sheltered areas such as porches.
IP65	Suitable for outdoor areas, not suitable for water immersion.

NOTE: Before installation, please check the information of driver as below.

Non-dim	Can not be used with any dimmer.
Triac dim	Compliant with recommended TRIAC dimmers, dimming range 8-100%.
0/1-10V	Only work with 0/1-10V dimming system, dimming range 8-100%.
DALI	Only work with DALI dimming system, dimming range 8-100%.

## Installation Procedure

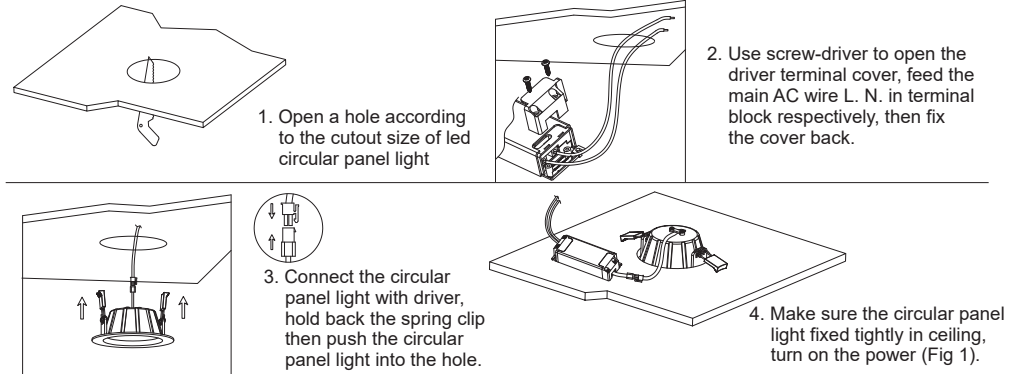
### WARNING

1. Switch off before installation.
2. Switch on only after complete installation and examination of the circuit.
3. Professional electrician for installation and maintenance only.

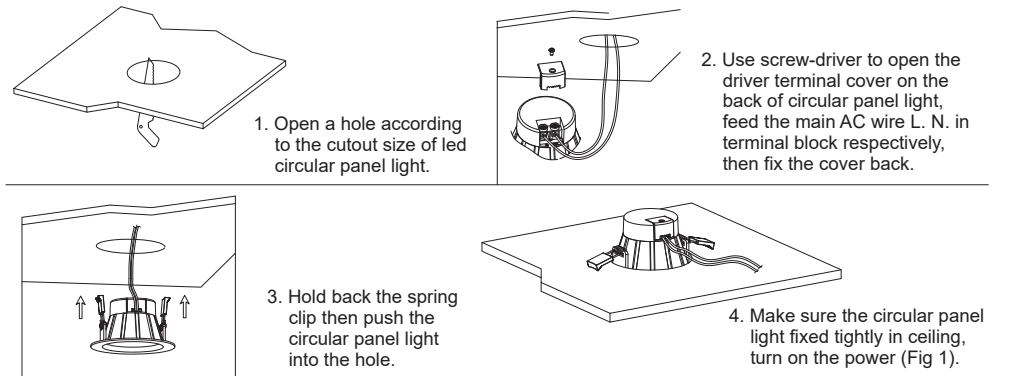


Turn Off power supply before starting any installation. Read instructions & check you have all the tools & accessories to complete the installation correctly.

### Circular Panel with external driver



### Circular Panel with internal driver



RISK OF FIRE – Required clearance from structural members and building elements

SCB=25mm HCB=25mm MIC=0mm SCI=0mm

HCB: Height clearance to building element  
MIC: Minimum insulation clearance  
SCI: Side clearance to insulation  
SCB: Side clearance to building element

### Warning:

Product modification and improper installation are not valid for warranty!

WARNING-RISK OF OVERHEATING OR FIRE IF THE CLEARANCE DISTANCES ARE COMPROMISED

For non-user replaceable light sources:

"The light source contained in this luminaire shall only be replaced by the manufacturer or his service agent or a similar qualified person."

For type Y attachments:

if the external flexible cable or cord of this luminaire is damaged, it shall be exclusively replaced by the manufacturer or his service agent or a similar qualified person in order to avoid a hazard.



Caution, risk of electric shock.