

## Important Safety Instructions

- Read through this manual before installation.
- Handle the product with care.
- The product belongs to Class I. If necessary, please connect the ground line to the plug screw.
- This product must be installed and maintained by certified electrician.
- Consult with the manufacturer before maintenance.
- Turn OFF the power before installation and maintenance.
- Make sure the products are securely installed.
- The housing might become hot after operation.
- Primary use high-bay luminaires for commercial and industrial buildings.
- Make sure the construction is strong enough to support the products.
- The product will automatically shut down once the temperature goes too high; and will automatically turn on once it cools down.
- The external flexible cable or cord of this luminaire cannot be replaced; if the cord is damaged, the luminaire shall be destroyed.
- For non-replacable light sources:

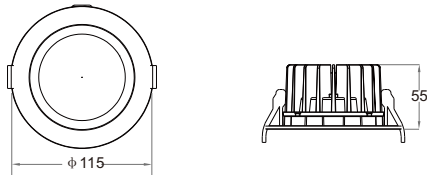


\* The light source of this luminaire is not replaceable; when the light source reaches its end of life, the whole luminaire shall be replaced\*

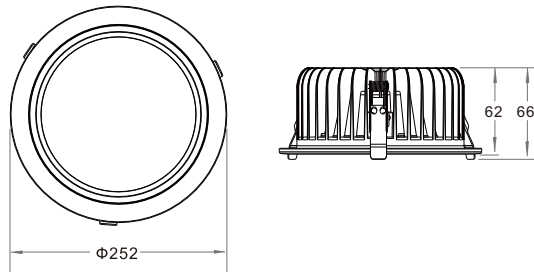


## Dimensions (unit: mm)

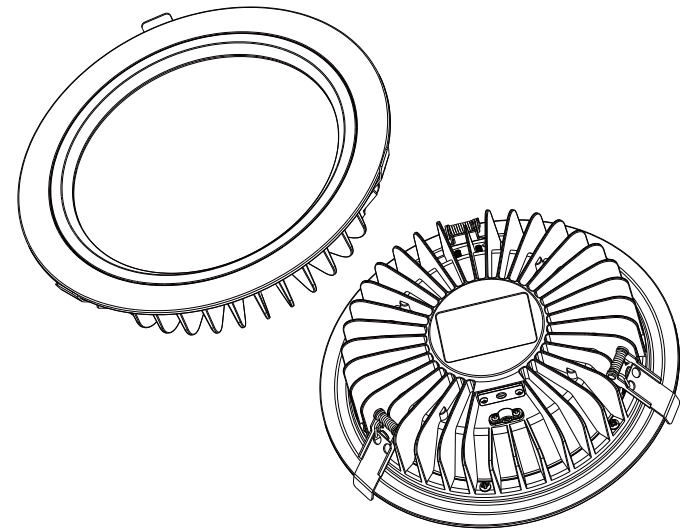
CDL12W-NW



CDL40W-NW



# INSTALLATION MANUAL

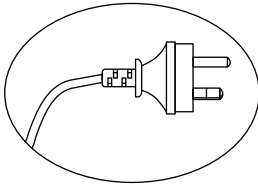


## LED CYANOSIS

## DOWNLIGHT

CDL12W, CDL40W

## Wiring Diagram



AC200-240V

1. Isolate the power.

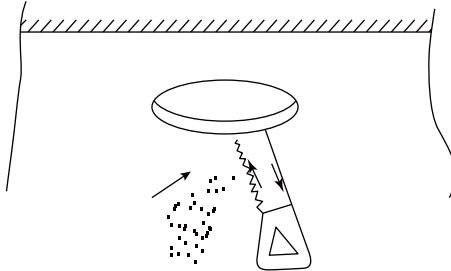
OFF 

2. Cut the hole in the ceiling

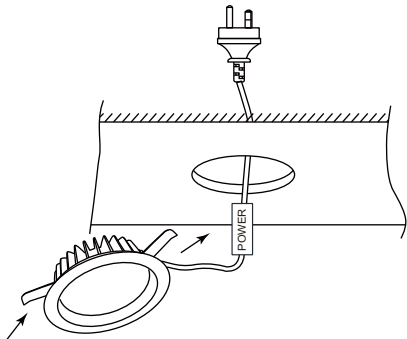
Cut hole size:

3 inches  $\varnothing$ 90-95mm

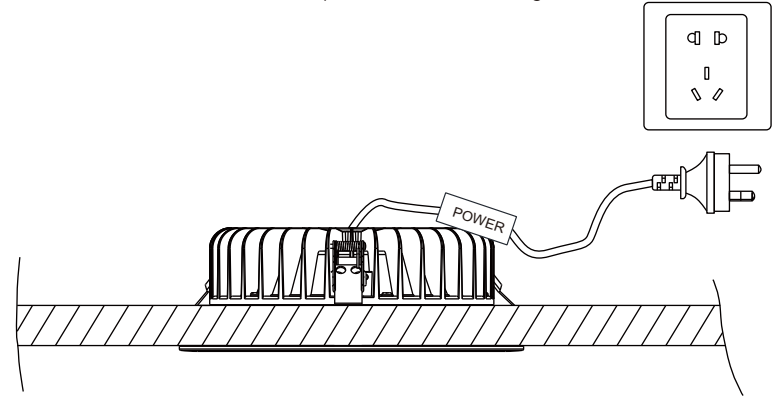
8 inches  $\varnothing$ 200-210mm



3. Properly connected to the electric power box, as shown in picture.



4. Push both sides of the clips, insert into the ceiling hole.




5. Turn on the power to the lighting circuit.

ON 

### NOTES

1. All dimensions are in millimeters.
2. Tolerance is 1mm unless otherwise specified.
3. Specifications are subject to change without notice.

 1800 909 306

 [nedlandsgroup.com.au](http://nedlandsgroup.com.au)

 [sales@nedlandsgroup.com.au](mailto:sales@nedlandsgroup.com.au)

 **POWER-LITE**<sup>®</sup>