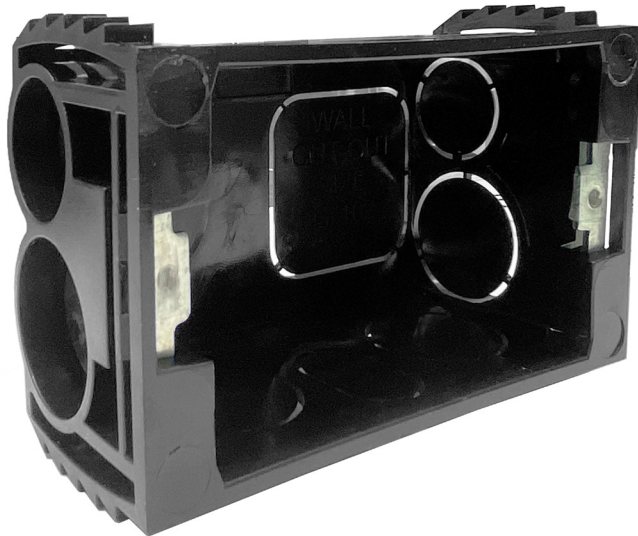




POWER-LITE®

Certainty at The Speed of Light



25
YEAR
LIFETIME
WARRANTY



RECESSED MOUNTING

BLOCK

RMB/A

The POWER-LITE® Recessed Mounting Block features ample knockouts, that provides easy access for cable and has a robust construction with high quality corrosion resistant finish. Also comes with a 25 year lifetime warranty, truly delivering your return on investment.

APPLICATIONS

Residential
Commercial
Industrial



☎ 1800 909 306
🌐 nedlandsgroup.com.au
✉ sales@nedlandsgroup.com.au



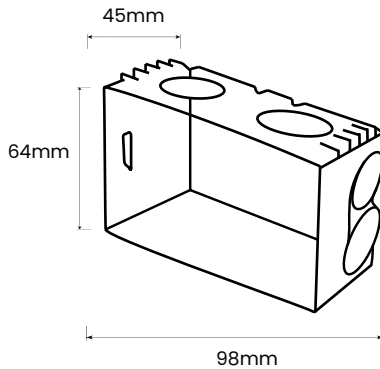
POWER-LITE®

Certainty at The Speed of Light

DIMENSIONS	(mm)
Length	98
Depth	45
Height	64

Note:

- To fit wall cut-out size of 102mm x 62mm



Shape
Rectangular

Material
PVC

Conduit Entries
7x25mm
2x20mm

Location of Connection
Rear

Number of Gangs
1

Pack Qty
10

Cable Entry No.
12

Carton Qty
100



Black

PRODUCT

CODE

RECESSED MOUNTING BLOCK

RMB/A