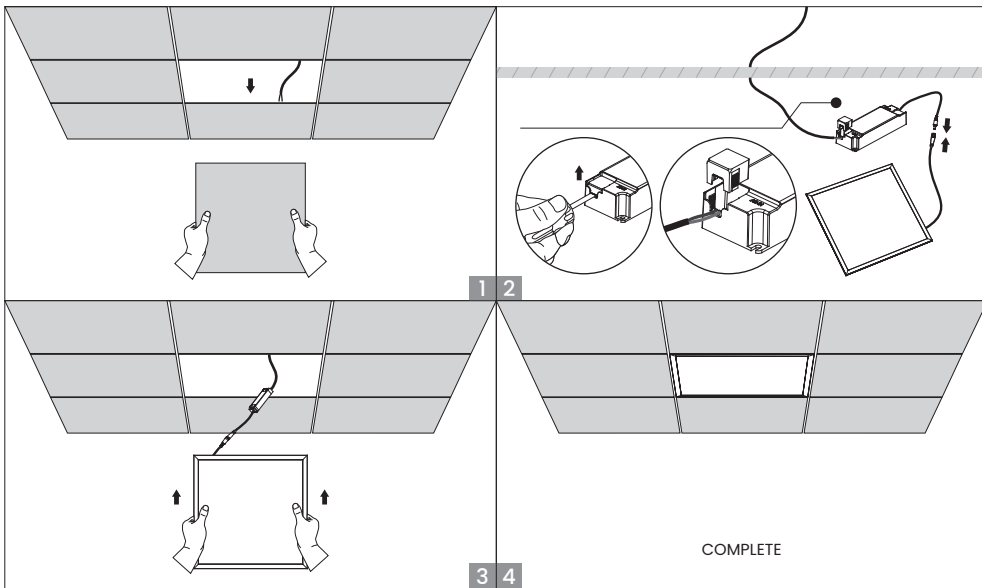
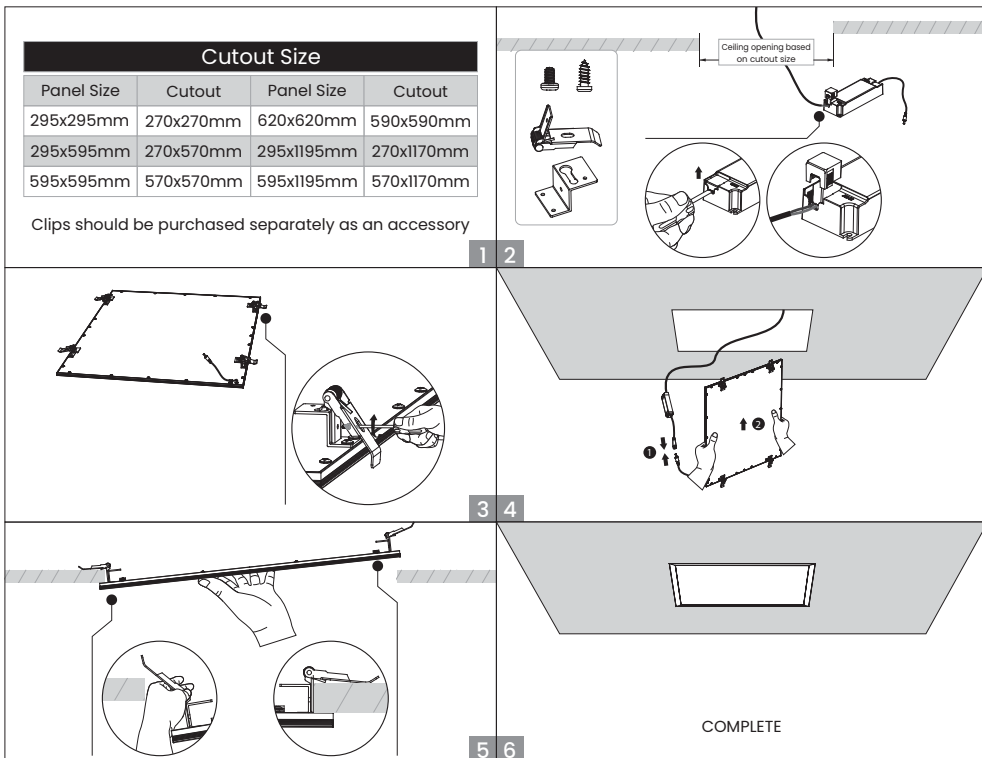


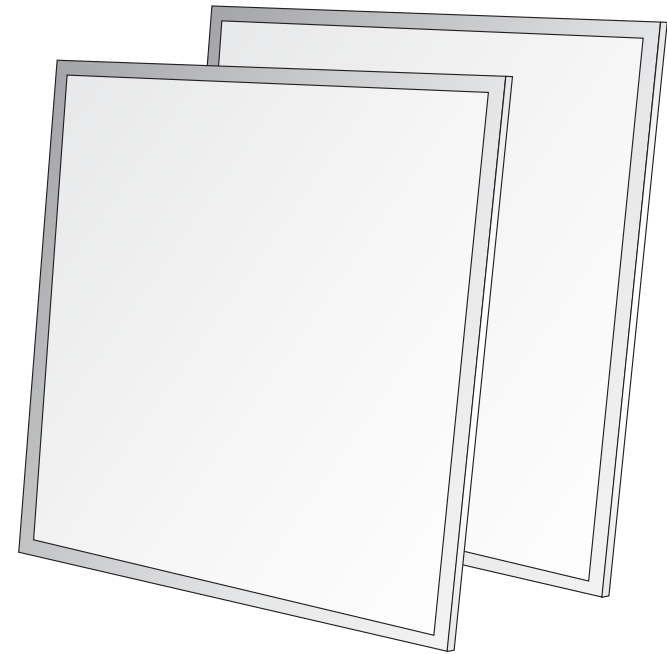
Recessed Installation | Method 1



Recessed Installation | Method 2



INSTALLATION MANUAL



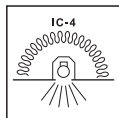
LED BACKLIT PANEL

UGR19-60SQ-CC, UGR19-30/60-CC
UGR19-120/30-CC

Safety Instructions

Basic safety precautions should always be followed when installing, including the following:

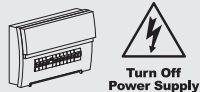
1. Read instructions carefully before installing.
2. This LED Panel requires professional installation and maintenance.
3. The power supply of the LED Panel should be powered by a dedicated external LED driver.
4. Disconnect the power supply before installing or maintenance.
5. Make sure the wires have been properly connected before powering on the device.
6. Ensure the product has enough space for heat dissipation.
7. Ensure the luminaries are never covered by any heat insulation mat or slim layer material at anytime.
8. IP40 for indoor use only, not for damp locations.
9. Storage Conditions: Cool & dry conditions.
10. Ambient Temperature: -10° to +40°. Avoid direct sunlight.
11. Please ensure the LED driver is situated either on back of fitting or suspended above fitting, and that the driver is clear of any insulation.



Installation Procedure

WARNING:

1. Switch off before installation.
2. Switch on only after complete installation and examination of the circuit.



CAUTION:

Make sure that the mounting surface or structural member used for installation can support the weight of LED Panel.

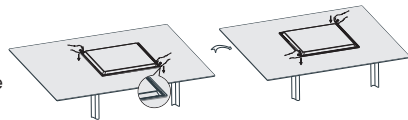
Please select colour temperature before installation, see below picture. Choose colour by slide switch with corresponding colour temperature.



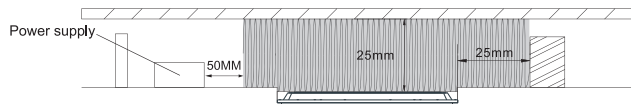
Lamp inspection before installation:

Take out the fitting from the box and place it on a flat table. If the fitting is warped, please adjust the fitting by following the steps below before installation:

1. Press the opposite angles at the same time;
2. Press the other two opposite angles at the same time, make sure the four angles are flat, then start the installation.



Installation Spacing



RISK OF FIRE - Required clearance from structural members and building elements

SCB=25mm HCB=25mm MIC=0mm SCI=0mm

- HCB: Height clearance to building element
 MIC: Minimum insulation clearance
 SCI: Side clearance to insulation
 SCB: Side clearance to building element
 SCG: Side clearance to auxiliary equipment control gear (CG). 50mm.

WARNING - RISK OF OVERHEATING OR FIRE IF THE CLEARANCE DISTANCES ARE COMPROMISED

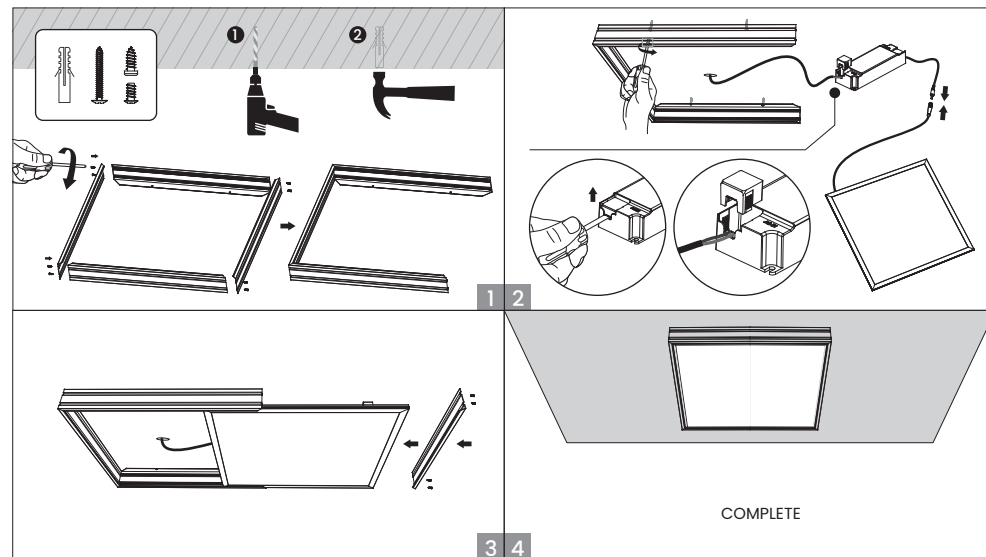
Warning:

Input wire diameter $\geq 0.75\text{mm}^2$;

Product modification and improper installation are not valid for warranty!

The light source contained in this luminaire shall only be replaced by the manufacturer or a qualified person.

Surface Mount Installation



Pendant Installation

