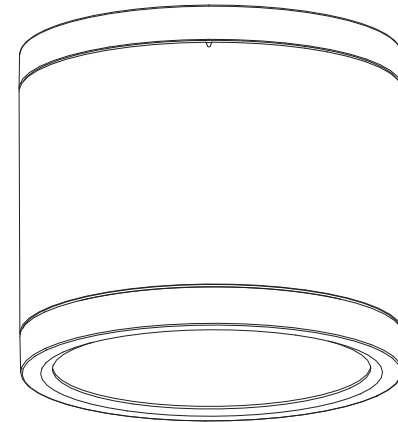


INSTALLATION MANUAL



10W | 25W LED
CAN

DOWNLIGHT

CD10W-CC-B-IP65

CD10W-CC-W-IP65

CD25W-CC-W-IP65

Important Safety Instructions

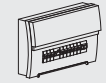
Basic safety precautions should always be followed when installing, including the following:

1. Read all instructions.
2. Licensed electrician for installation only.
3. Always ensure the power is OFF and the fitting has cooled down before performing any maintenance, cleaning, changing the globe or adjustment to the fitting.
4. Do not install any luminaire near the heat source.
5. Do not exceed the nominal supply voltage or amperage ratings.
6. To avoid injury or damage to the fitting, please ensure that power leads and screws are secure before connecting the power.

Installation Procedure

WARNING

1. Switch off before installation.
2. Switch on only after complete installation and examination of the circuit.
3. Professional electrician for installation and maintenance only.



Turn Off
Power Supply



Dimensions (mm)

10W

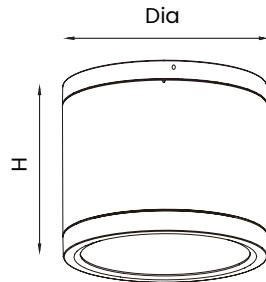
Diameter
Height

90
107

25W

Diameter
Height

130
115



Surface Mounted Installation

