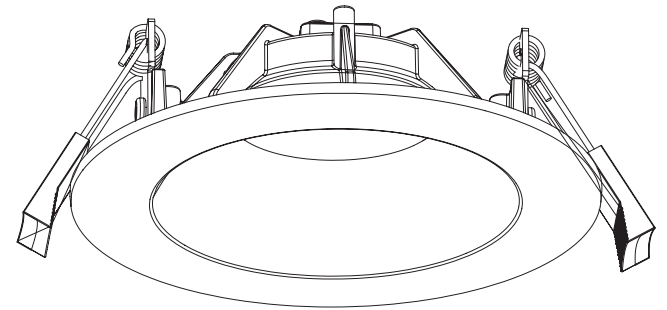


INSTALLATION MANUAL



Important Safety Instructions

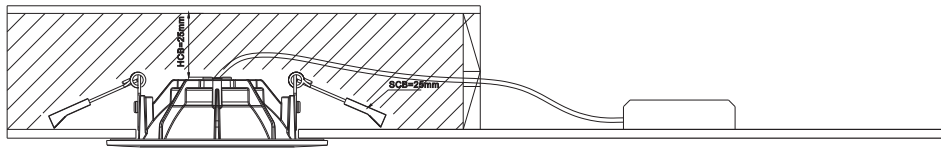
Basic safety precautions should always be followed when installing, including the following:

1. Read all instructions.
2. Licensed electrician for installation only.
3. Always ensure the power is OFF and the fitting has cooled down before performing any maintenance, cleaning, changing the globe or adjustment to the fitting.
4. Do not install any luminaire near the heat source.
5. Do not exceed the nominal supply voltage or amperage ratings.
6. To avoid injury or damage to the fitting, please ensure that power leads and screws are secure before connecting the power.
7. The luminaire should be positioned so that prolonged staring into the luminaire at a distance closer than 2.2m is not expected.
8. The light source of this luminaire is not replaceable; when the light source reaches its end of life the whole luminaire shall be replaced.
9. If the external flexible cable or cord of this luminaire is damaged, it shall be exclusively replaced by the manufacturer or his service agent or a similar qualified person in order to avoid a hazard.



Installation Instructions

Fig 1: Installation Spacing



RISK OF FIRE—Required clearance from structural members and building elements
SCB=25mm HCB=25mm MIC=0mm SCI=0mm

HCB: Height clearance to building element
MIC: Minimum insulation clearance
SCI: Side clearance to insulation
SCB: Side clearance to building element

Tab 1: Ceiling cutout reference table.

Downlight dia (inch)	2	2.5	3	3.5	4	5	6	8	10
Ceiling Cutout (mm)	60-65	68-75	90-95	100-110	120-130	140-150	160-170	200-210	230-260

NOTE: Before installation, please check the IP label on the luminaire to choose the right place to install.

Ip20	Indoor use only, do not use in wet or damp place.
Ip44	Suitable for indoor areas including bathrooms and covered/sheltered areas such as porches.

NOTE: Before installation, please check the information of driver as below.

Non-dim	Can not be used with any dimmer.
Triac dim	Compliable with recommended TRIAC dimmers, dimming range 8-100%.
0/1-10V	Only work with 0/1-10V dimming system, dimming range 8-100%.
DALI	Only work with DALI dimming system, dimming range 8-100%.

Installation Procedure

WARNING

1. Switch off before installation.
2. Switch on only after complete installation and examination of the circuit.
3. Professional electrician for installation and maintenance only.



Turn Off power supply before starting any installation. Read instructions & check you have all the tools & accessories to complete the installation correctly.

Downlight with external driver

For the product with Slide Switch of Colour Selection, please select the light colour (CW/NW/WW) before installation.



1. Open a hole according to the cutout size of led downlight.
2. Use screw-driver to open the driver terminal cover, feed the main AC wire L N in terminal block respectively, then fix the cover back.
3. Connect the downlight with driver, hold back the spring clip then push the downlight into the hole.
4. Make sure the downlight fixed tightly in ceiling, turn on the power (Fig 1).

Downlight with internal driver

For the product with Slide Switch of Colour Selection, please select the light colour (CW/NW/WW) before installation.



1. Open a hole according to the cutout size of led downlight.
2. Use screw-driver to open the driver terminal cover on the back of downlight, feed the main AC wire L N in terminal block respectively, then fix the cover back.
3. Hold back the spring clip then push the downlight into the hole.
4. Make sure the downlight fixed tightly in ceiling, turn on the power (Fig 1).

Warning: Production modification and improper installation are not valid for warranty.