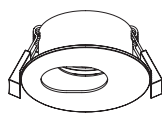
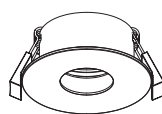


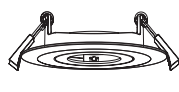
DM-WALLW



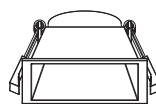
DM-OVAL



DM-DIM



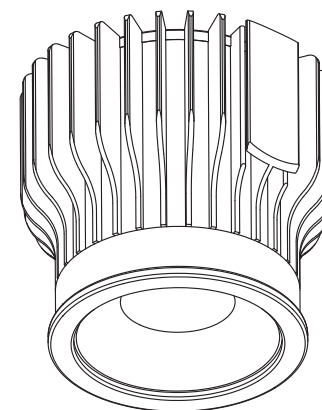
DM-GIM



DM-SQ

Warning: Production modification and improper installation are not valid for warranty.

INSTALLATION MANUAL



13W LED COB

DOWNLIGHT

DM13W-36DEG

DM13W-60DEG



1800 909 306

nedlandsgroup.com.au

sales@nedlandsgroup.com.au

Important Safety Instructions

Basic safety precautions should always be followed when installing, including the following:

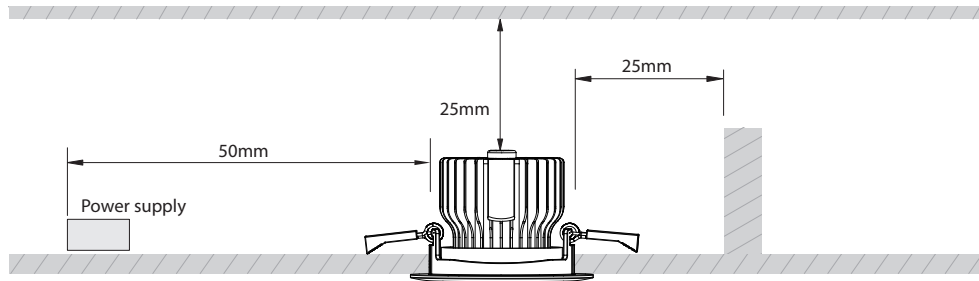
1. Read instructions & check you have all the tools & accessories to complete the installation correctly.
2. Licensed electrician for installation only.
3. Always ensure the power is OFF and the fitting has cooled down before performing any maintenance, cleaning, changing the globe or adjustment to the fitting.
4. Do not install any luminaire near the heat source.
5. Do not exceed the nominal supply voltage or amperage ratings.
6. To avoid injury or damage to the fitting, please ensure that power leads and screws are secure before connecting the power.
7. The light source contained in this luminaire shall only be replaced by the manufacturer or a qualified person.



Caution, risk of Electric shock.

Installation Instruction

Fig 1: Installation Spacing



Ceiling cutout table

Downlight Trims	DM-OVAL	DM-DIM	DM-WALLW	DM-GIM	DM-SQ
Ceiling Cutout (mm)	70-80	70-80	90-95	90-95	90-95

Context table Before installation, please check the IP label on the luminaire to choose the right place to install.

IP20/IP40	Indoor use only, do not use in wet or damp place.
IP44/IP54	Suitable for indoor areas including bathrooms and covered/sheltered areas such as porches.
IP65	Suitable for outdoor areas, not suitable for water immersion.

Context table Before installation, please check the information of driver as below.

Non-dim	Can not be used with any dimmer.
Triac dim	Compliable with recommended TRIAC dimmers, dimming range 8-100%.
0/1-10V	Only work with 0/1-10V dimming system, dimming range 8-100%.
DALI	Only work with DALI dimming system, dimming range 8-100%.

Installation Procedure

WARNING

1. Switch off before installation.
2. Switch on only after complete installation and examination of the circuit.
3. Professional electrician for installation and maintenance only.



Downlight with external driver

