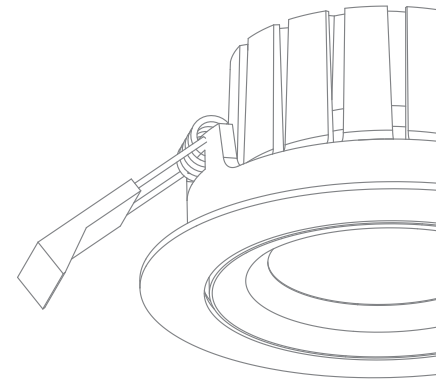



## INSTALLATION MANUAL



 1800 909 306

 [nedlandsgroup.com.au](http://nedlandsgroup.com.au)

 [sales@nedlandsgroup.com.au](mailto:sales@nedlandsgroup.com.au)

### LED COB

**DOWNLIGHT**

DL10WCOB-AG

DL13WCOB-AG

DL25WCOB-AG

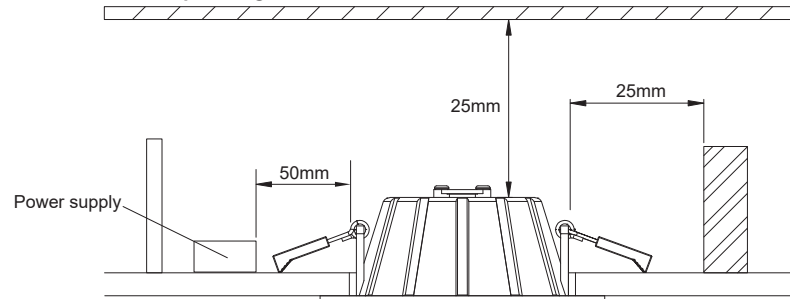
## Important Safety Instructions

Basic safety precautions should always be followed when installing, including the following:

1. Read all instructions.
2. Licensed electrician for installation only
3. Always ensure the power is OFF and the fitting has cooled down before performing any maintenance, cleaning, changing the globe or adjustment to the fitting.
4. Do not install any luminaire near the heat source.
5. Do not exceed the nominal supply voltage or amperage ratings.
6. To avoid injury or damage to the fitting, please ensure that power leads and screws are secure before connecting the power.

## Installation Instruction

Fig 1: Installation Spacing



Tab 1: Ceiling cutout reference table.

Downlight dia (inch)	2	2.5	3	3.5	4	5	6	8	10
Ceiling Cutout (mm)	60-65	68-75	90-95	100-110	120-130	140-150	160-170	200-210	230-260

NOTE: Before installation, please check the IP label on the luminaire to choose the right place to install.

IP20/IP40	Indoor use only, do not use in wet or damp place.
IP44/IP54	Suitable for indoor areas including bathrooms and covered/sheltered areas such as porches.
IP65	Suitable for outdoor areas, not suitable for water immersion.

NOTE: Before installation, please check the information of driver as below.

Non-dim	Can not be used with any dimmer.
Triac dim	Compliable with recommended TRIAC dimmers, dimming range 8-100%.
0/1-10V	Only work with 0/1-10V dimming system, dimming range 8-100%.
DALI	Only work with DALI dimming system, dimming range 8-100%.

## Installation Procedure

### WARNING

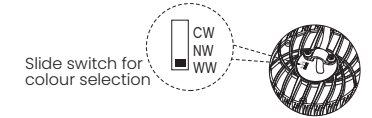
1. Switch off before installation.
2. Switch on only after complete installation and examination of the circuit.
3. Professional electrician for installation and maintenance only.



Turn Off power supply before starting any installation. Read instructions & check you have all the tools & accessories to complete the installation correctly.

### Downlight with external driver

For the product with Slide Switch of Colour Selection, please select the light colour (CW/NW/WW) before installation.



1. Open a hole according to the cutout size of led downlight.
2. Use screw-driver to open the driver terminal cover, feed the main AC wire L. N. in terminal block respectively, then fix the cover back.
3. Connect the downlight with driver, hold back the spring clip then push the downlight into the hole.
4. Make sure the downlight fixed tightly in ceiling, turn on the power (Fig 1).

### Downlight with internal driver

For the product with Slide Switch of Colour Selection, please select the light colour (CW/NW/WW) before installation.



1. Open a hole according to the cutout size of led downlight.
2. Use screw-driver to open the driver terminal cover on the back of downlight, feed the main AC wire L. N. in terminal block respectively, then fix the cover back.
3. Hold back the spring clip then push the downlight into the hole.
4. Make sure the downlight fixed tightly in ceiling, turn on the power (Fig 1).

Warning: Production modification and improper installation are not valid for warranty.