



POWER-LITE®

Certainty at The Speed of Light



LED CAN

DOWNLIGHT

CD10W-CC

The POWER-LITE® LED CAN Surface Mounted Downlights are designed for surface mounted applications such as concrete slabs & exposed ceilings.



APPLICATIONS

Domestic | Retail
Commercial
Office



☎ 1800 909 306
🌐 nedlandsgroup.com.au
✉ sales@nedlandsgroup.com.au

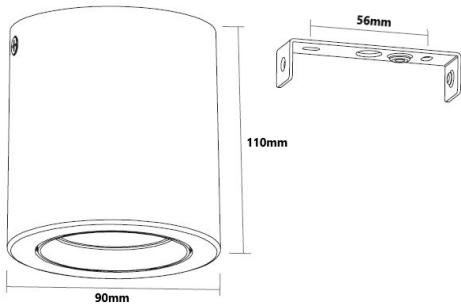


POWER-LITE®

Certainty at The Speed of Light

DIMENSIONS (mm)

Diameter 90
Height 110



LED Chip
Citizen COB

Efficacy
Up to 100lm/W

Life Expectancy
50,000 hrs TM-21

LED Driver
Dimmable

SCDM
<6 Macadam steps

Mount Type
Surface Mount

Working Temp
-20°C to +45°C

Adjustment
350° Horizontal Swivel
25° Vertical Tilt
Gimbal

Power Factor
>0.90

Carton Qty
24


CRI
>80

 10W

 3CCT

 3000K
794lm

 4000K
873lm

 5000K
881lm

 AC200-240V

PRODUCT

OPTIONS

CODE

LED CAN DOWNLIGHT

 Black
 White

CD10W-CC-B

CD10W-CC-W

 IP20

 60°
Beam Angle

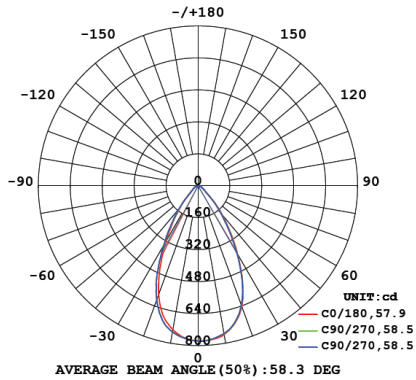


POWER-LITE®

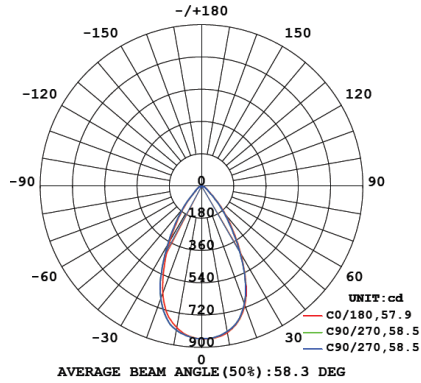
Certainty at The Speed of Light

PHOTOMETRICS

CDI0W-CC | 3000K



CDI0W-CC | 4000K



CDI0W-CC | 5000K

