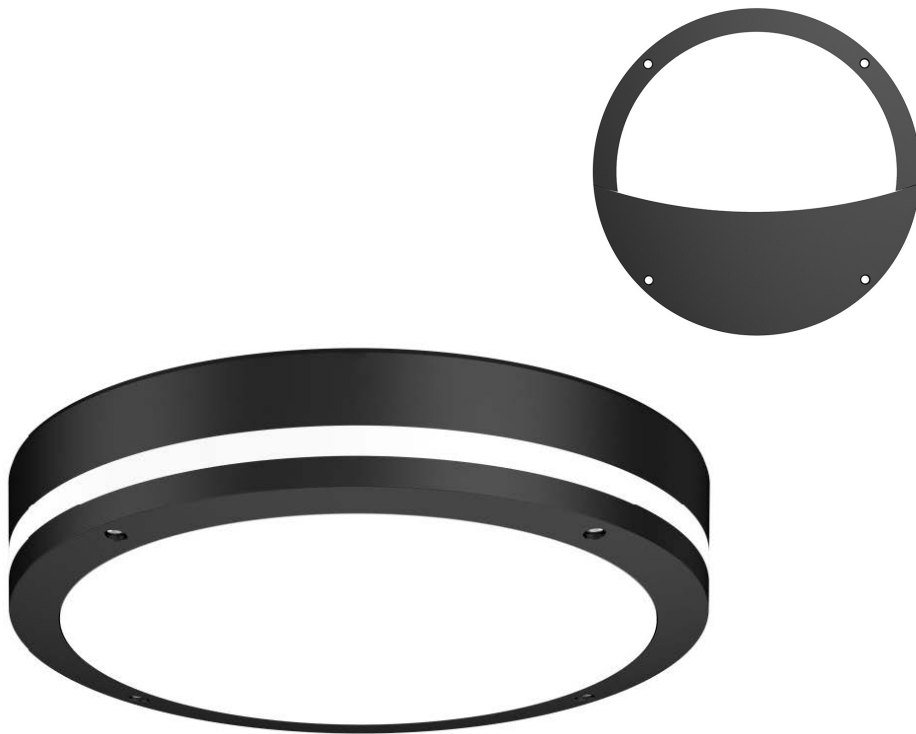




POWER-LITE®

Certainty at The Speed of Light



18W LED

BUNKER LIGHT

BL18W-CC

The POWER-LITE® 18W LED Bunker Light is attractive, stylish, energy efficient and bright. It's a perfect light for outdoors.



APPLICATIONS

Residential
Commercial



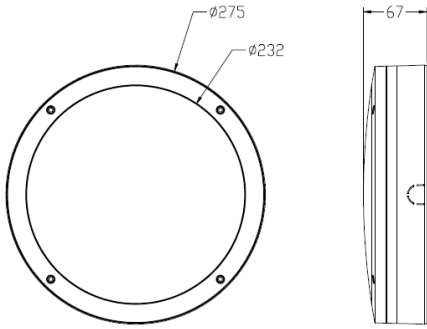
☎ 1800 909 306
🌐 nedlandsgroup.com.au
✉ sales@nedlandsgroup.com.au



POWER-LITE®

Certainty at The Speed of Light

DIMENSIONS	(mm)
Diameter	275
Height	67



Life Expectancy
50,000 hrs TM-21

Efficacy
Up to 93lm/W

Working Temp
-20°C to +45°C

LED Driver
Built-In

CRI
>80

Nett Weight
0.35kg

Installation
Surface Mount

Carton Qty
12

18W

3CCT

3000K
1360lm

4000K
1620lm

5700K
1503lm

AC85-265V

White &
Black Frame
Colour

PRODUCT

CODE

18W LED BUNKER LIGHT

BL18W-CC

ACCESSORIES

CODE

EYELID BEZEL



Black

BL18W-EL

IP65

IK10

110°
Beam Angle

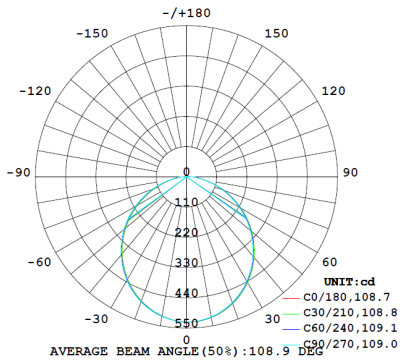


POWER-LITE®

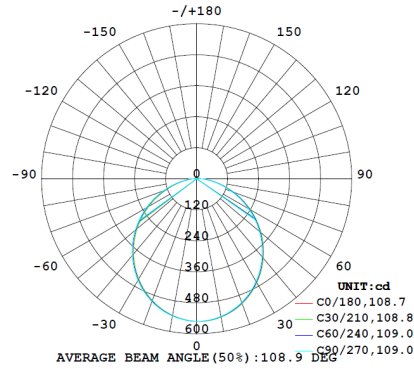
Certainty at The Speed of Light

PHOTOMETRICS

BL18W | 3000K



BL18W | 4000K



BL18W | 5700K

