



POWER-LITE®

Certainty at The Speed of Light



150W | 180W LED

STREET LIGHT

ST-150W-CW, ST-180W-CW

The POWER-LITE® LED Street Lights are an ideal replacement for any pole top application. Its slimline design & premium componentry provides a durable solution with excellent aesthetics.

APPLICATIONS

Carparks

Streets



1800 909 306

nedlandsgroup.com.au

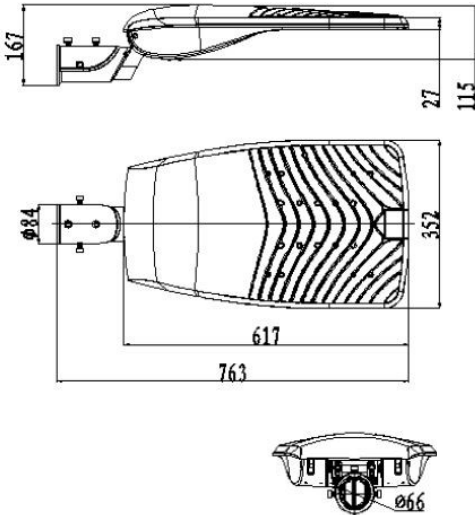
sales@nedlandsgroup.com.au



POWER-LITE®

Certainty at The Speed of Light

DIMENSIONS	(mm)
Length	763
Width	352
Depth	167



LED Chip
Nichia Chip

Life Expectancy
50,000 hrs L70

Working Temp
-30°C to +50°C

Power Factor
>0.92

Amperage
0.67A

Running Power Consumption
0.54KW*H

Efficacy
Up to 121lm/W

LED Driver
Sosen driver
Non-dimmable

Connection
800mm power cable

Material
Aluminium & glass

Net Weight
10.9kg

Spigot Size
60mm

Carton Qty
1

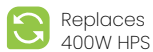


PRODUCT OPTIONS

LED STREET LIGHT



150W



Replaces 400W HPS



Black

ST-150W-CW-B



18,750lm

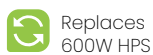


Grey

ST-150W-CW-G



180W



Replaces 600W HPS



Black

ST-180W-CW-B



21,122lm

ACCESSORIES

DOUBLE SPIGOT



To suit 60mm spigot



Black

ST-DSPIGOT-60-B



Grey

ST-DSPIGOT-60

WALL MOUNT ADAPTER



To suit 60mm spigot



Black

ST-WM-60-B



Grey

ST-WM-60



1800 909 306

nedlandsgroup.com.au

sales@nedlandsgroup.com.au

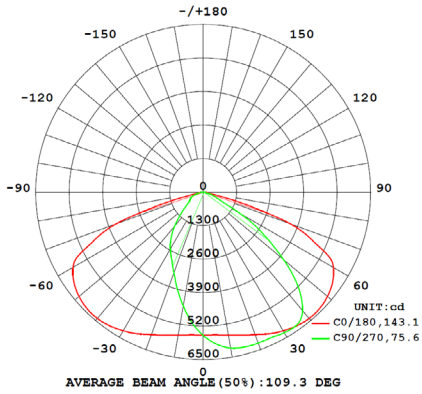


POWER-LITE®

Certainty at The Speed of Light

PHOTOMETRICS

ST-150W-CW | 6500K



ST-180W-CW | 6500K

