



# POWER-LITE®

Certainty at The Speed of Light



## LED SLIMLINE

### FLOOD LIGHT

SFL200W-CR

The POWER-LITE® LED Slimline Flood Light features a robust and durable construction, with anti-corrosive properties to ensure the longest possible lifespan. A cost-effective and high quality fixture, suitable to light up large outdoor areas, particularly those exposed to harsh weather conditions.



#### APPLICATIONS

Commercial

Industrial



☎ 1800 909 306

🌐 [nedlandsgroup.com.au](http://nedlandsgroup.com.au)

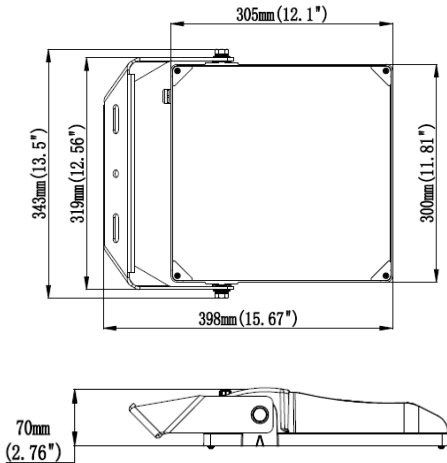
✉ [sales@nedlandsgroup.com.au](mailto:sales@nedlandsgroup.com.au)



# POWER-LITE®

Certainty at The Speed of Light

## DIMENSIONS



**LED Chip**  
SMD 3030

**Efficacy**  
14lm/W

**Life Expectancy**  
63,000 hrs L-70

**LED Driver**  
Non-dimmable

**SCDM**  
<5 Macadam steps

**Net Weight**  
5.3kg

**Working Temp**  
-30°C to +50°C

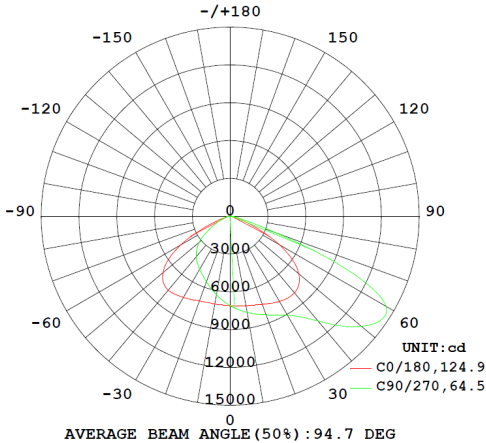
**Connection**  
1.5m wire

**CRI**  
>70

**Carton Qty**  
1

**Power Factor**  
>0.95

## PHOTOMETRICS



200W

5700K  
24,600lm

AC220-277V  
50/60Hz

Grey Frame  
Colour

PRODUCT

CODE

LED SLIMLINE FLOOD LIGHT

SFL200W-CR

IP66

IK08

120°  
Beam Angle



1800 909 306

nedlandsgroup.com.au

sales@nedlandsgroup.com.au