



POWER-LITE®

Certainty at The Speed of Light



LED EXIT SIGN

EMERGENCY

EXITBOX-R

The POWER-LITE® LED Emergency Exit Sign has a slimline design and is developed using long life LED chips and premium Lithium batteries. It's sleek design provides a premium exit sign solution.



APPLICATIONS

Commercial
Retail | Industrial
Multi-residential



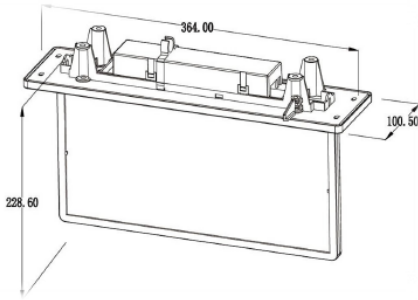
☎ 1800 909 306
🌐 nedlandsgroup.com.au
✉ sales@nedlandsgroup.com.au



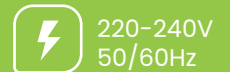
POWER-LITE®

Certainty at The Speed of Light

DIMENSIONS	(mm)
Cutout	305x65
Length	364
Height	228.6
Depth	100.5



Protection Class Class II	Backup Duration 2hrs
Viewing Distance 24m	EM Classification D63
Max. Ambient Temp 40°C	Battery Type 3.2V LiFePO4 (Lithium)
Decals Left arrow (1) Right arrow (1) No arrow (2)	Battery Supply Current 1300mA
Duration 2hrs	Connection 3 pin plug
	Mounting Type Recessed
	Carton Qty 10



PRODUCT

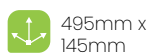
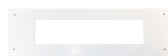
LED EXIT SIGN EMERGENCY

CODE

EXITBOX-R

ACCESSORIES

RETROFIT ADAPTOR PLATE



CODE

EXITBOX-MPA



1800 909 306

nedlandsgroup.com.au

sales@nedlandsgroup.com.au