



POWER-LITE®

Certainty at The Speed of Light



1
YEAR
WARRANTY

1-10V

DIMMER

D1-10

The POWER-LITE® 1-10V Dimmer features:

- Easy Installation
- Dimming Range 10-100%
- Compatible with Most Light Switch Wall Plates
- Controls up to 30 LED Drivers
- Operating Temp: 0-50°C

APPLICATIONS

Residential
Commercial
Industrial

 **NEDLANDS
GROUP**

 1800 909 306
 nedlandsgroup.com.au
 sales@nedlandsgroup.com.au



POWER-LITE®

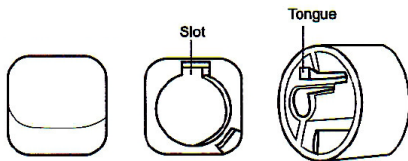
Certainty at The Speed of Light

DIMENSIONS	(mm)
Length	22.5
Height	48.6
Width	22.5

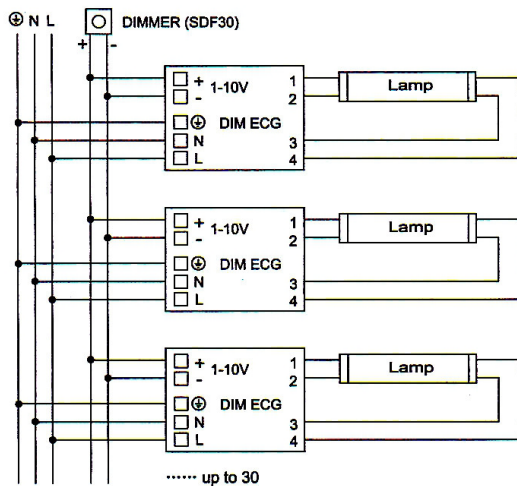
Notes:

To Set Minimum Brightness:

- Switch on power after dimmer is properly wired and mounted
- Turn the dimmer until the desired minimum brightness is obtained
- Insert the knob cover with the tongue on the knob (see illustration left) lines up with the slot on the dimmer



WIRING DIAGRAM



Working Ambient Temp
0°C to +50°C

Max LED Driver per D1-10
dimmer
30

Connection Type
Screw terminals

Weight
19g

Carton Qty
100



White

Important Warning:

- Disconnect power before installation
- Two or more dimmers cannot be connected in parallel, or series to control the same load
- Ensure the positive and negative connections have been made correctly

PRODUCT

1-10V DIMMER

CODE

D1-10



1800 909 306

nedlandsgroup.com.au

sales@nedlandsgroup.com.au