



# POWER-LITE®

Certainty at The Speed of Light



TS-26W



TS-26W-NS

## 26W LED TWINSPOT

### FLOOD LIGHT

TS-26W, TS-26W-NS

The POWER-LITE® 26W LED Twinspot Flood Light not only provides a lifelong lighting solution, saving in energy and maintenance costs, but produces only a minimal amount of heat compared with standard halogen twinspots.



#### APPLICATIONS

Indoor

Outdoor



☎ 1800 909 306

🌐 [nedlandsgroup.com.au](http://nedlandsgroup.com.au)

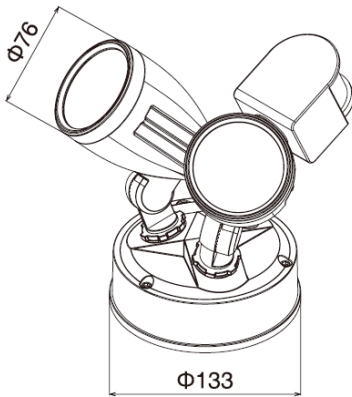
✉ [sales@nedlandsgroup.com.au](mailto:sales@nedlandsgroup.com.au)



# POWER-LITE®

Certainty at The Speed of Light

<b>DIMENSIONS</b>	(mm)
Base Diameter	133
Head Diameter	76



### Sensor Specifications

<b>Detection Beam Angle</b> 180°	<b>Duration Time Adjustment</b> 5 sec to 6 mins
<b>Detection Range</b> Max. 10m	<b>Detection Circuitry</b> Passive Infra Red
<b>LED Chip</b> COB	<b>LED Driver</b> Non-dimmable
<b>Life Expectancy</b> 50,000 hrs L80	<b>Connection</b> Hardwired
<b>Working Temp</b> -20°C to +45°C	<b>Replaces</b> 70W Halogen
<b>Power Factor</b> >0.8	<b>Material</b> Die cast Aluminium
<b>CRI</b> >80	<b>Lens</b> Clear
<b>Efficacy</b> 108lm/W	<b>Net Weight</b> 1.06kg
	<b>Carton Qty</b> 12



### PRODUCT

### OPTIONS

### CODE

26W LED TWINSLOT FLOOD LIGHT

WITH SENSOR

TS-26W

WITHOUT SENSOR

TS-26W-NS



1800 909 306

nedlandsgroup.com.au

sales@nedlandsgroup.com.au

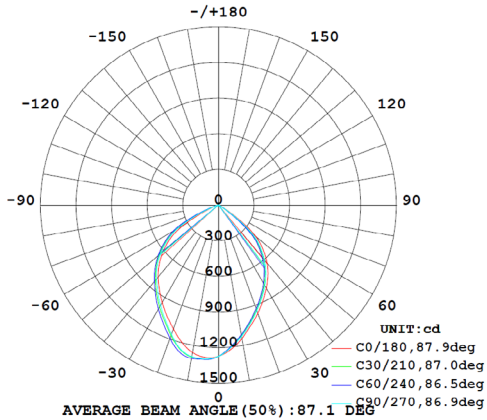


# POWER-LITE®

Certainty at The Speed of Light

## PHOTOMETRICS

TS-26W | 5000K



TS-26W-NS | 5000K

