



# POWER-LITE®

Certainty at The Speed of Light



## MICROWAVE

**SENSOR**

MS-8M-360-MW

The POWER-LITE® Microwave Sensor is easy to install and function. Features a wide detection range and provides an energy-saving solution in automatically identifying day, night and ambient light.



E2362



WARRANTY



### APPLICATIONS

Residential  
Commercial  
Industrial



1800 909 306

[nedlandsgroup.com.au](http://nedlandsgroup.com.au)

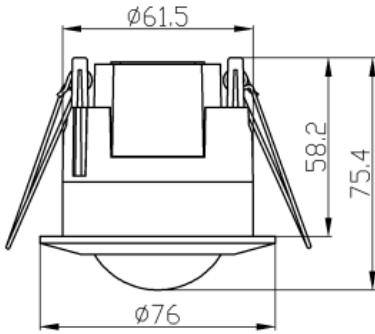
[sales@nedlandsgroup.com.au](mailto:sales@nedlandsgroup.com.au)



# POWER-LITE®

Certainty at The Speed of Light

**DIMENSIONS** (mm)  
Cut out 63-66



360°  
**Detection Range**

**Detection Type**  
Day, Night,  
Ambient Light

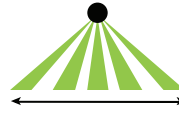
**Ambient Light**  
<3-2000LUX  
(adjustable)

**Time Delay**  
Min. 10sec ± 3sec  
Max. 12min ± 1min

**Rated Load**  
1200W max  
(Incandescent)

600W max  
(Fluorescent & LED)

**Installation Height**  
1.5-3.5m



16m, adjustable  
**Detection Distance**

**HF System**  
5.8GHz CW radar,  
ISM band

**Transmission Power**  
<0.2mW

**Power Consumption**  
Approx. 0.9W

**Detection Motion Speed**  
0.6 - 1.5m/s

**Mount Type**  
Recessed

**Carton Qty**  
50

White

## PRODUCT

MICROWAVE SENSOR

## CODE

MS-8M-360-MW

AC220-240V  
50/60Hz

IP20