



# POWER-LITE®

Certainty at The Speed of Light



## INFRARED MOTION

**SENSOR**

MS-12M-360

The POWER-LITE® Infrared Motion Sensor is easy to install and function. Features a wide detection range and provides an energy-saving solution in automatically identifying day, night and ambient light.



E2362



### APPLICATIONS

Residential  
Commercial  
Industrial



☎ 1800 909 306

🌐 [nedlandsgroup.com.au](http://nedlandsgroup.com.au)

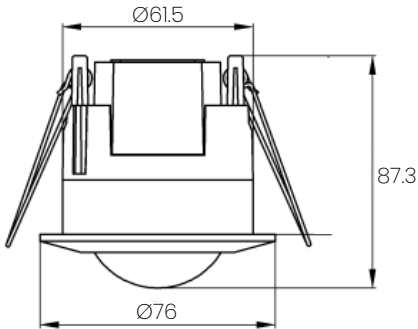
✉ [sales@nedlandsgroup.com.au](mailto:sales@nedlandsgroup.com.au)



# POWER-LITE®

Certainty at The Speed of Light

**DIMENSIONS** (mm)  
Cut out 61.5



360°  
**Detection Range**

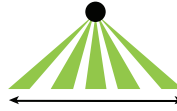
**Detection Type**  
Day, Night,  
Ambient Light

**Lux Control**  
<3-2000LUX  
(adjustable)

**Hold Time**  
Min. 10sec -  
Max. 15min

**Operating Temp.**  
-20 to 40°C

**Installation Height**  
2.2-4m



12m  
**Detection Distance**

**Rated Load**  
1200W max  
(Incandescent & LED)

300W max  
(Fluorescent)

**Wiring Series**  
Can be wired in series

**Mount Type**  
Recessed

**Carton Qty**  
20

 White

## PRODUCT

INFRARED MOTION SENSOR

## CODE

MS-12M-360

 AC220-240V

 IP20