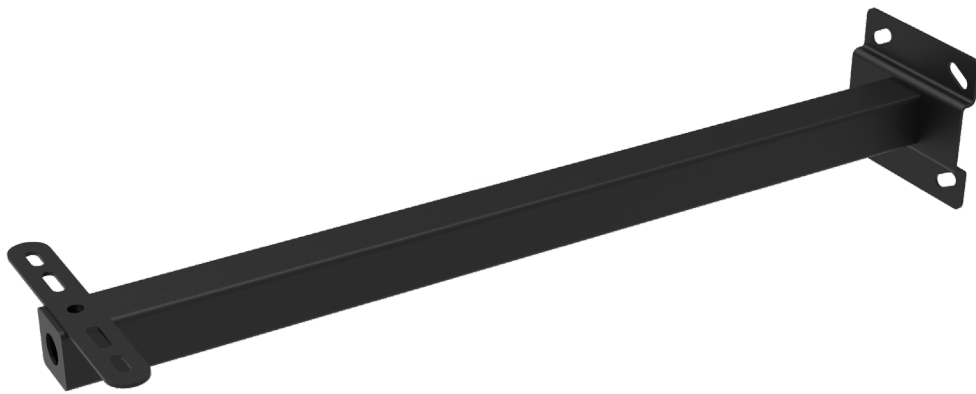




POWER-LITE®

Certainty at The Speed of Light



CE



FLOOD LIGHT WALL MOUNT

BRACKET

FLWMB01, FLWMB15

The POWER-LITE® Flood Light Wall Mount Bracket is designed to work with our LED Slimline Flood Light range:

LED-SFL50W

LED-SFL100W

LED-SFL150W

LED-SFL200W

Steel construction with anti-corrosive, high quality powder coat and stainless steel bolts and nuts.

Available in 1m and 1.5m lengths.



☎ 1800 909 306

🌐 nedlandsgroup.com.au

✉ sales@nedlandsgroup.com.au

APPLICATIONS

Domestic | Retail

Commercial

Industrial

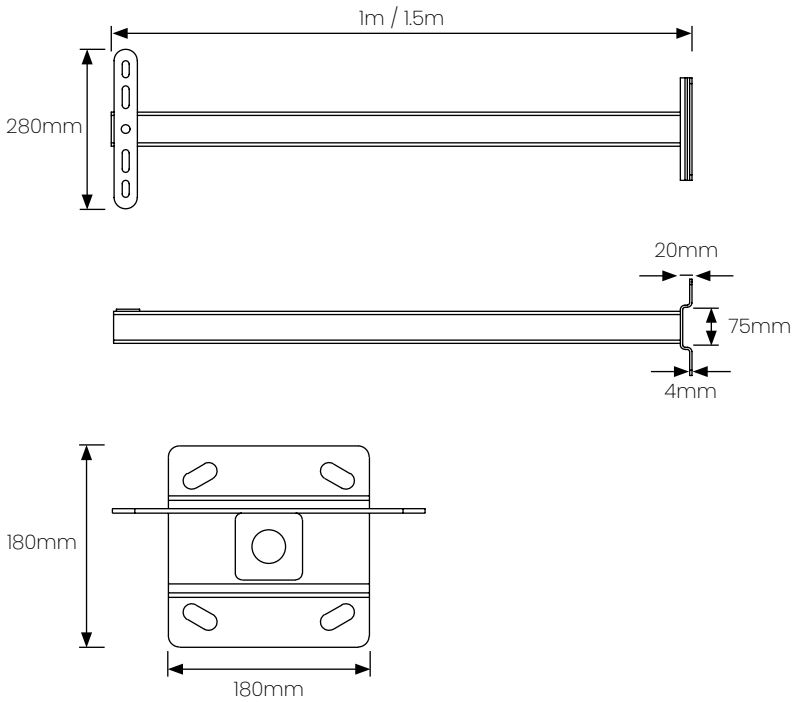


POWER-LITE®

Certainty at The Speed of Light

DIMENSIONS

FLWMB01 1m length
FLWMB15 1.5m length



Material
Steel

Finish
Anti-Corrosive
AkzoNobel Powder Coat

Carton Qty
1

 Black
Colour

PRODUCT

OPTIONS

CODE

FLOOD LIGHT WALL MOUNT BRACKET



1m length

FLWMB01



1.5m length

FLWMB15