



## VEET & IPART LED LIGHT PANEL

The POWER-LITE® VEET & IPART approved LED light panel is designed for LED retro-fit installations, in NSW & VIC. VEET & IPART approval enables the client to receive a rebate when installed in an eligible installation.

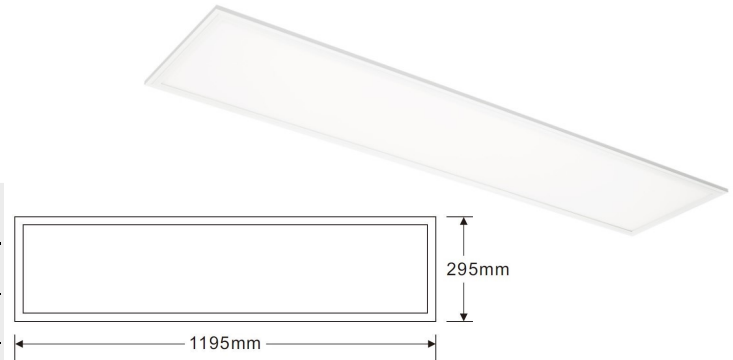
### Applications:

Commercial, Healthcare, Education & Hospitality.

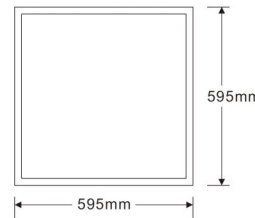


### Specifications

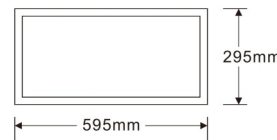
<b>LED Chip:</b>	SMD2835
<b>Life Expectancy:</b>	50,000 Hours
<b>Working Temperature:</b>	-20°C to +50°C
<b>Power Factor:</b>	>0.9
<b>Approvals:</b>	SAA/C-tick (RCM) VEET & IPART
<b>Voltage:</b>	AC220V-240V DC30-40
<b>LED Driver:</b>	Lifud flicker free
<b>CRI:</b>	>80
<b>Carton Quantity:</b>	5
<b>UGR:</b>	<22
<b>Beam Angle:</b>	120°
<b>IP Rating:</b>	IP40
<b>Connection:</b>	1.2m cable with SAA plug
<b>Replaces:</b>	72W Fluorescent



120/30 Panels



60SQ Panels



30/60 Panels

Code	Wattage	Lumens	Dimensions	Colour Temperature	Weight	Warranty
LED-LPE18W-30/60	18W	1980LM	295mm x 595mm	4000K	3.8kg	3 years
LED-LPE18W-30/60-5K	18W	1980LM	295mm x 595mm	5000K	3.8kg	3 years
LED-LPE18W-30/60-CW	18W	1980LM	295mm x 595mm	6000K	3.8kg	3 years
LED-LPE28W-120/30	28W	3100LM	1195mm x 295mm	4000K	3.8kg	5 years
LED-LPE28W-120/30-5K	28W	3100LM	1195mm x 295mm	5000K	3.8kg	5 years
LED-LPE28W-120/30-CW	28W	3100LM	1195mm x 295mm	6000K	3.8kg	5 years
LED-LPE28W-60SQ	28W	3100LM	595mm x 595mm	4000K	3.8kg	5 years
LED-LPE28W-60SQ-CW	28W	3100LM	595mm x 595mm	6000K	3.8kg	5 years
LED-LPE28W-60SQ-5K	28W	3100LM	600mm x 600mm	5000K	3.8kg	5 years
LP18W-D-DIM	-	<i>Dimmable Driver for 18W LED light panels</i>				
LP18W-D-DIM-1-10V	-	<i>Dimmable Driver for 18W LED light panels</i>				
LP30W-D-DIM	-	<i>30W LED Spare Dimmable Driver for LPE28W Panels</i>				
LED-LPE30W-DALI	-	<i>Converts LED-LPE28W Panels to DALI.</i>				