

## UGR<19 LED LIGHT PANEL



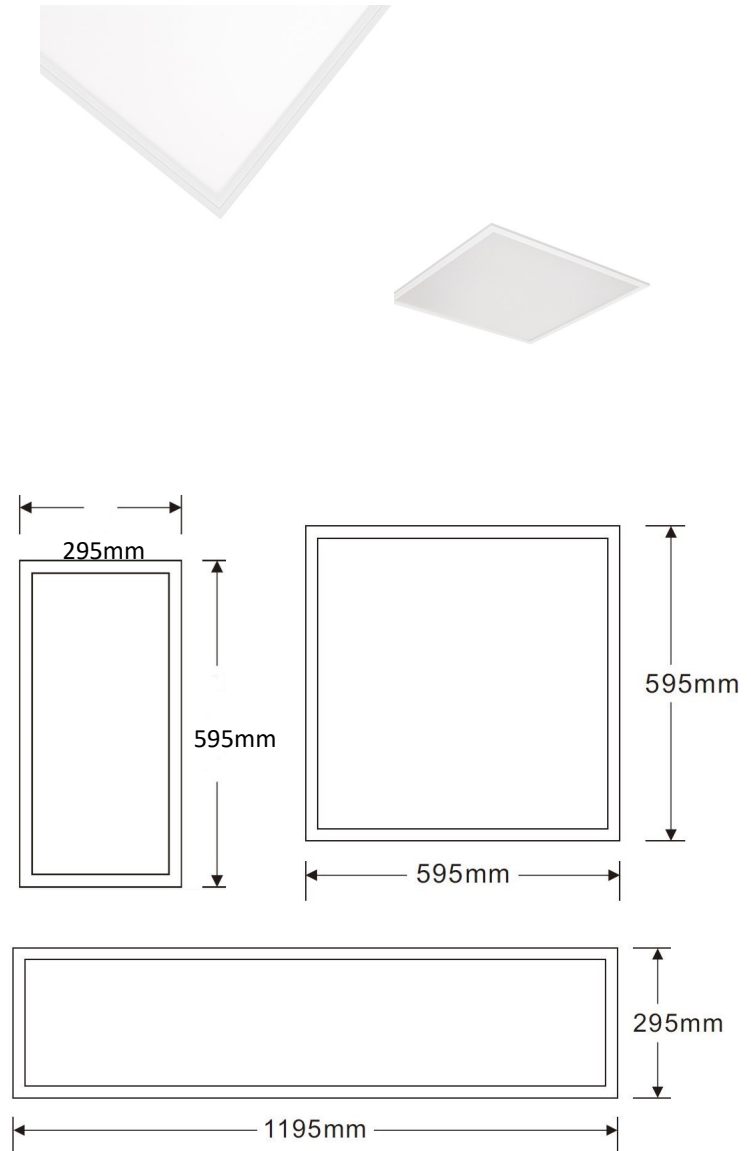
The POWER-LITE® UGR <19 LED Light Panel provides a low glare lighting solution whilst achieving excellent lux levels and uniformity.

### Applications:

Office, Healthcare, Retail, Recreation, Domestic & Commercial.

### Specifications

<b>LED Chip:</b>	Epistar
<b>Colour Temperature:</b>	4000K
<b>Warranty:</b>	5 Years
<b>Life Expectancy:</b>	50,000 Hours
<b>Working Temperature:</b>	-20°C to +40°C
<b>Power Factor:</b>	>0.9
<b>Beam Angle:</b>	120°
<b>UGR:</b>	<19
<b>Approvals:</b>	SAA/C-tick (RCM)
<b>Voltage:</b>	AC220-240V
<b>IP Rating:</b>	IP40
<b>LED Driver:</b>	Lifud® SAA Approved— Flicker Free
<b>Connection:</b>	1.2m Power Cable with SAA plug
<b>Replaces:</b>	72W Fluorescent fitting
<b>CRI:</b>	80Ra



**Note:** Can be cable suspended using the Cable Suspension Kit (LED-LPCSK).

Code	Wattage	Lumen Output	Dimensions	Carton Quantity	Nett Weight
UGR19-LPE36W-120/30	36W	3500LM	1195 X 295 X 9mm	5	3.05kg
UGR19-LPE36W-60SQ	36W	3500LM	595 x 595 x 9mm	5	3.1kg
UGR19-LPE18W-30/60	18W	2600LM	295 x 595 x 9mm	5	1.75kg