



POWER-LITE®

LED-OY25W-CC-IP54

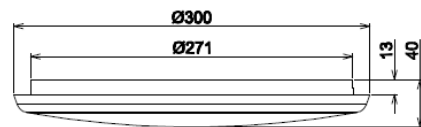
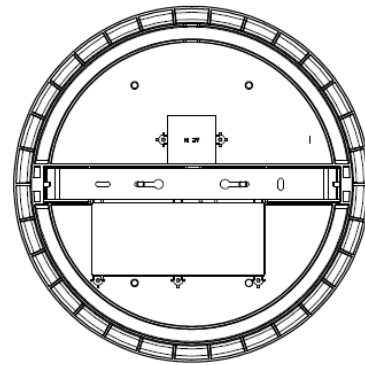
LED Oyster Light

The POWER-LITE® LED Oyster Lights are useful for rooms with low ceilings.



Applications:

Residential Applications.



Specifications

IP Rating:	IP54
Approvals:	SAA/C-tick (RCM)
Voltage:	AC200-240V
Power Factor:	≥0.9
CRI:	≥80
Surface Colour:	White
Lumens:	2000
Replaces:	80W
Beam Angle:	120°
LED Colour Temperature:	3000k, 4000k or 5700K (Colour Switchable)
LED Driver:	Dimmable
Warranty:	5 Years
Life Span:	40,000 Hours
Working Temperature:	-20°C to 45°C
Net Weight:	1.2kg

Code	POWER	Dimensions	Carton Quantity
LED-OY25W-CC-IP54	25W	300x40mm	10



Free Call: 1800 909 306

Fax: +61 3 8669 4097

Website: nedlandsgroup.com.au

Sales: sales@nedlandsgroup.com.au