

# CIRCULAR LED LIGHT PANEL



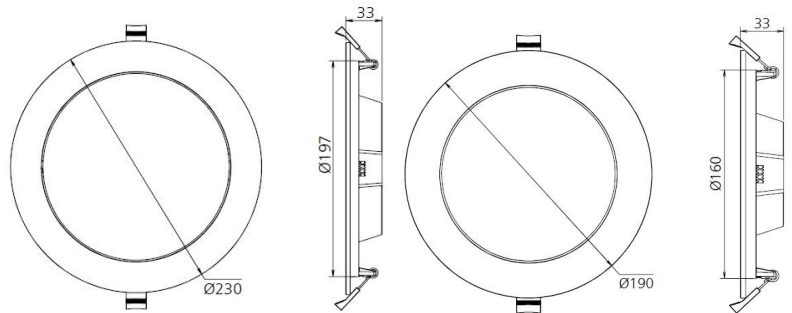
The POWER-LITE® circular LED Light panel are easy to install and will work with most trailing edge, LED or universal dimmers.

**Applications:**

Office, Healthcare, Retail, Domestic & Commercial.

## Specifications

<b>LED Chip:</b>	Epistar
<b>Warranty:</b>	5 Years
<b>Life Expectancy:</b>	40,000 Hours
<b>Working Temperature:</b>	-20°C to +65°C
<b>Power Factor:</b>	>0.90
<b>Beam Angle:</b>	120°
<b>Approvals:</b>	SAA/C-tick (RCM)
<b>Voltage:</b>	AC200-265V
<b>IP Rating:</b>	IP54
<b>LED Driver:</b>	Dimmable
<b>Connection:</b>	1.2m lead length
<b>Carton Quantity:</b>	24
<b>CRI:</b>	>80



Code	Wattage	Lumen Output	Dimensions	Cut Out	Colour Temperature
CP16W-WW	16W	1470LM	Ø190 x 33mm	160-170mm	3000K
CP16W-NW	16W	1590LM	Ø190 x 33mm	160-170mm	4000K
CP16W-CW	16W	1610LM	Ø190 x 33mm	160-170mm	6000K
CP20W-WW	20W	2050LM	Ø230 x 33mm	200-210mm	3000K
CP20W-NW	20W	2200LM	Ø230 x 33mm	200-210mm	4000K
CP20W-CW	20W	2210LM	Ø230 x 33mm	200-210mm	6000K