

GIMBAL LED COB DOWNLIGHT



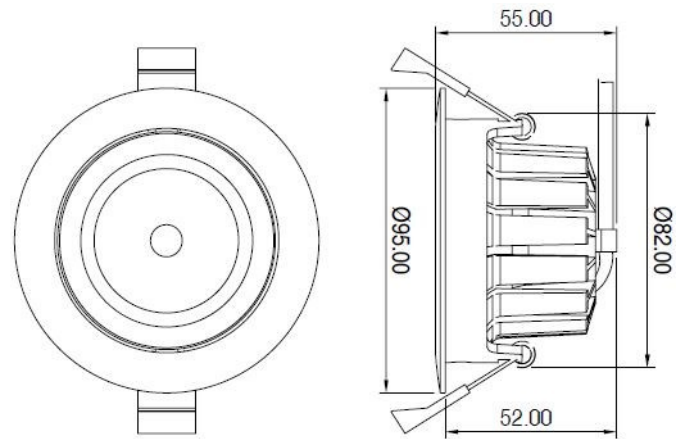
The POWER-LITE® Gimbal LED COB Downlights are perfect for feature walls, pitched roofs and lighting art.

Applications:

Commercial, Domestic, Retail & Healthcare.

Specifications

LED Chip:	Citizen COB
Warranty:	5 Years
Life Expectancy:	40,000 Hours
Working Temperature:	-20°C to +45°C
Tilt Angle:	25°
Beam Angle:	60°
Approvals:	SAA/C-tick (RCM)
Voltage:	AC200-265V
IP Rating:	IP54
LED Driver:	Dimmable
Connection:	LED Driver, lead & plug
Frame Colour:	White
Carton Quantity:	48
CRI:	>80
IC-F Rated:	Yes



Code	Wattage	Lumen Output	Dimensions	Cut out	Colour Temperature
DL10WCOB-G-NW	10W	700LM	Ø95 x 55mm	82-88mm	4000K
DL10WCOB-G-WW	10W	650LM	Ø95 x 55mm	82-88mm	3000K