

LED Downlight Instruction

Safety Instruction:

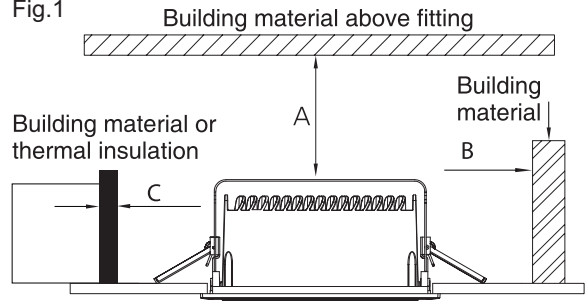
- Switch off before installation.
- Licensed electrician for installation only.
- Non-dimmable version, not for use with light dimmers.
- Dimmable Version, if it is triac dim, for use with triac dimmer.
- Product modification is not valid for warranty.

RISK OF FIRE - Required clearance from structural members and building elements
 SCB=25mm HCB=25mm

Production specification

IP Rating: IP20 / IP65
 Voltage: See details on package
 Wattage: See details on package
 Ambient Temperature: -20°C~+45°C
 Storage Conditions: -20°C~+65°C

Fig.1



Tab

A-gap above the top of fitting	25mm
B-side gap to structural membrane	25mm
C-the gap to thermal insulation	25mm

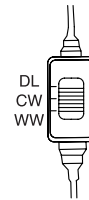
How to install:

- Subject to Figure 1 & Table 1 for installation place and conditions
- Refer to table 2 " Downlight Dia." & "Ceiling cutout" for ceiling opening cut-out size
- Follow Figure 2 install steps to finish installation

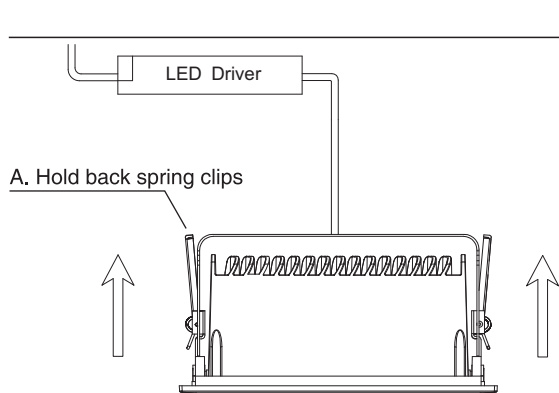
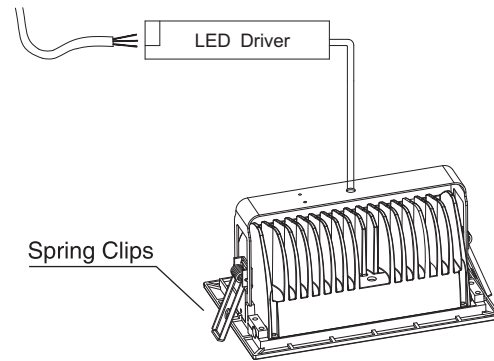
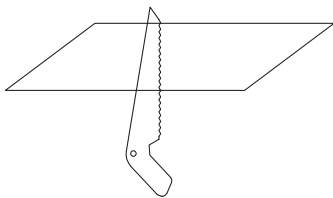
Installation(Fig. 2)

For the product with Slide Switch of Color Selection, please select the light color (DL/CW/WW) before installation.

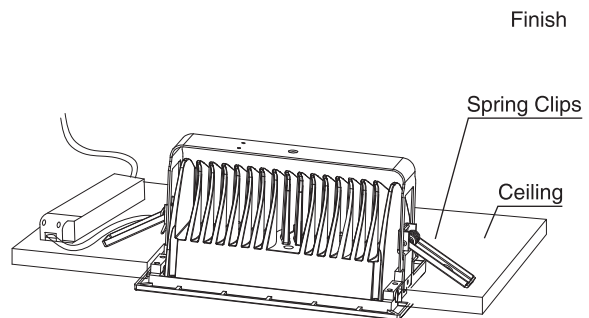
Slide switch for color selection



Ceiling opening



B. Push downlight into position



Warning:

Input wire diameter $\geq 0.75\text{mm}^2$;

Product modification and improper installation are not valid for warranty!