

Automatic High Speed Hand Dryer

Installation Instructions p.1



This installation must be carried out by a qualified electrician if hardwired installation.

Please read these instructions carefully before installation.

Leave a copy for the user/maintenance engineer for future reference.

Specification

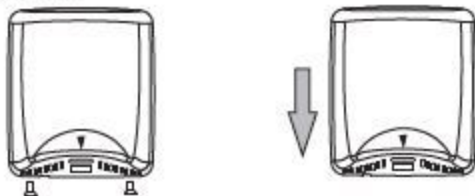
- Hand Dryer
- Supply voltage 220V AC / 50Hz
- Wattage: 1800W
- Temperature of warm air $0^{\circ}\text{C} \pm 40^{\circ}\text{C}$.
- Air Speed 80m/s / 90m/s
- IP Rating: IPX1
- Sensing Distance 12cm \pm 3cm
- Drying time: 7-10 seconds

Before Installation

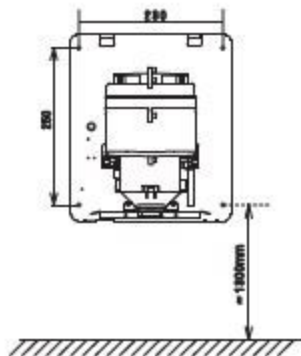
- Not to be installed in areas of high humidity and moisture.
- The power must be isolated before maintenance.
- The machine must be installed in a clean area indoors, please use power: 220V-240V, 50/60Hz.
- Recommend to install R.C.D units.
- Do not disassemble, repair or make any alterations to this machine, this invalidates the warranty & creates a risk of electric shock, fire & other accidents.
- Ensure no other objects are within 400mm of the Hand Dryer. Do not install near reflective surfaces as this can cause false triggering.
- Ensure the unit is securely fixed to a smooth, level surface.
- Do not install the Hand Dryer near corrosive or flammable gases / objects, this may cause fire or product failure.
- Do not install the Hand Dryer in a dusty environment or in high temperature, this may cause damage to the product.

Installation Instructions

1. Take off the two screws on the bottom of the panel with the hexagon wrench in the attachment, push down the panel and take it off.



2. Drill four holes on the wall where the Hand Dryer will be installed, the diameter of the hole needs to be 7mm and the depth 40mm. Put the plug into the hole. Then fix the main unit on to the wall with screws. Please ensure that fixings provided are suitable for the wall application before installing.



DRI

Contact for warranty queries – service@nedlandsgroup.com.au /
repeat orders – sales@nedlandsgroup.com.au

Automatic High Speed Hand Dryer

Installation Instructions p.2



3. Locate the panel with the main unit, push up slightly to locate the hook, which is at the base / ensure it is located on the panel. Refix the screws.



Maintenance

- Please disconnect the power and clean the outer with natural detergent when required. Do not use acid or alkaline bathroom detergent, lacquer thinners, abrasive etc. Do not use nylon brushes to clean as the friction can cause scratches.
- Isolate when not in use for long periods of time, to extend the life of the product.
- If the machine breaks down, cut off the power supply to the machine quickly and contact a qualified electrician if required to ensure all has been made safe.

Important Notes

- Do not pull the power lines or cover it with clothing items, or put burning cigarettes on the body, in order to avoid fires or accidents.
- In the case of children using the machine, supervision is recommended.
- Do not operate any switches or plugs with wet hands.
- During maintenance you should prevent the water entering into the machine, in order to avoid electric shock or short circuit.
- Do not put wet clothes on the mouth of the machine.

WARNING

- Do not use your hands to block up the spout, or use any kind of wire to insert into the spout.
- Do not disassemble, repair or make any alterations to this machine without authorisation.

Warranty

This product carries a 2 year warranty from the date of purchase. The warranty is invalid in the case of improper use, tampering, removal of the Q.C. date label, installation in an improper working environment or installation not according to the current edition of the Wiring Regulations. The warranty is also invalidated if the luminaire has been Mega tested. Should this product fail during the warranty period it will be replaced free of charge, subject to correct installation and return of the faulty unit. We do not accept responsibility for any installation costs associated with the replacement of this product. If a PIR is used in conjunction with any Nedlands Group product we do not accept any responsibility for premature failure of lamps or control gear. Your statutory rights are not affected. We reserve the right to alter specifications without prior notice.



DRI

Contact for warranty queries – service@nedlandsgroup.com.au /
repeat orders – sales@nedlandsgroup.com.au